

6 V 4211

6-1/2" Polyglass® woofer-midrange



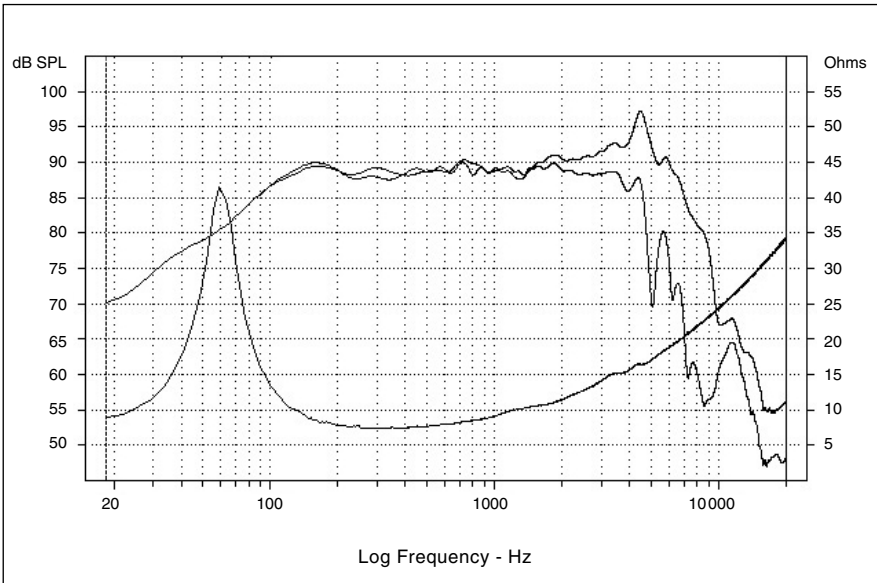
- Thick zamak alloy metal cast frame
- Straight profile Polyglass® cone, rubber surround
- Edgewound flat copper wire 25mm voice coil, black aluminium former
- Efficiency: 89.4dB
- Very practical for 15l vented systems



Specifications

Nominal power	60 W	
Maximum power	80 W	
Sensitivity	88.75 dB	
Cone	Polyglass®	
Surround	rubber	
Nom. impedance	6 ohms	
DC resistance	6.6 ohms	
VC diameter	25 mm	3.88 in
VC height	12.4 mm	0.49 in
Former	aluminium	
Layers	2	
Wire	copper	
Inductance	0.55 mH	
Xmax	3.2 mm	0.13 in
Magnet d x h	100 x 18 mm	3.93 x 0.70 in
Magnet weight	564 g	1.24 lb
Flux density	1.2 T	
Gap height	6 mm	0.24 in
Net weight	1.8 kg	3.97 lb

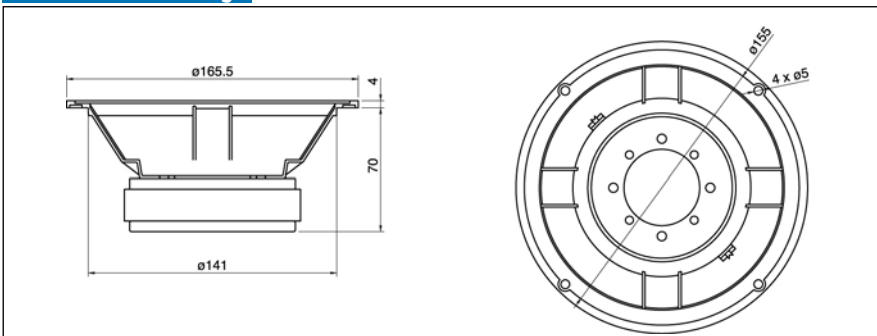
Frequency Response / Impedance



Parameters

Fs	60.9 Hz	
Vas	14.1 l	860.4 in ³
Qts	0.47	
Qes	0.56	
Qms	3.04	
Re	6.6 ohms	
Sd	132.7 Cm ²	20.6 in ²
Cas	101E-09 m5/N	
Mas	67.9 kg/m ⁴	
Ras	8539.2 ohms.ac	
Cms	0572E-6 m/N	
Mms	11.96 g	0.026 lb
Rms	1.50 g/s	
Ces	221.9 mF	
Les	30.8 mH	
Res	35.8 ohms	
BI	7.34 N/A	
SPL	89.4 dB/W/m	

Mechanical Drawing



Suggested application

Load	V (l)	Fb (Hz)	F-3 (Hz)	Ql
Vented	14	52.1	60	7

Focal® is a trademark of Focal-JMLab®