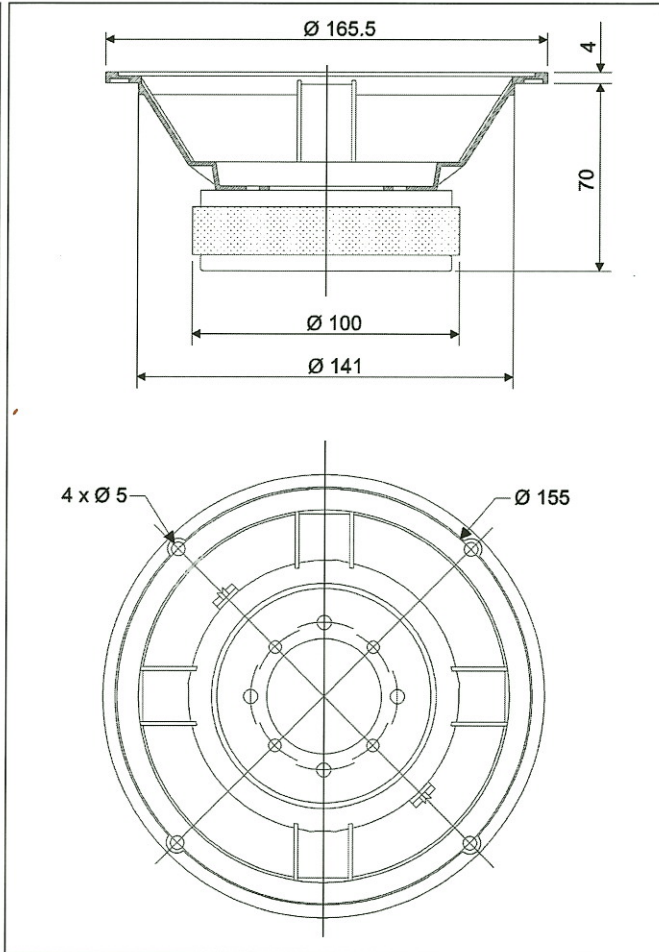


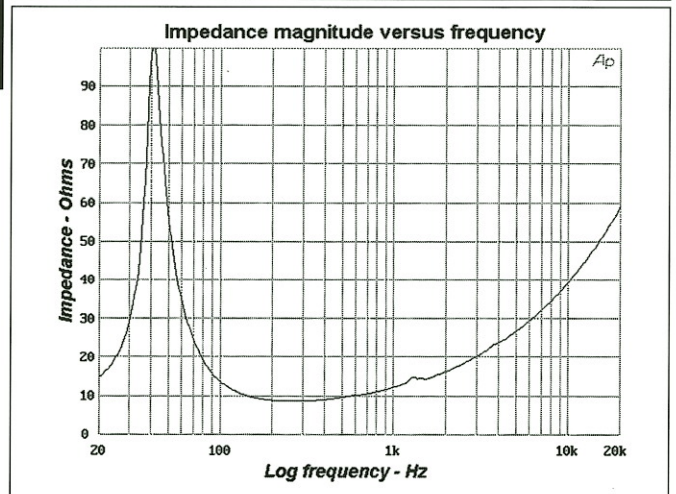
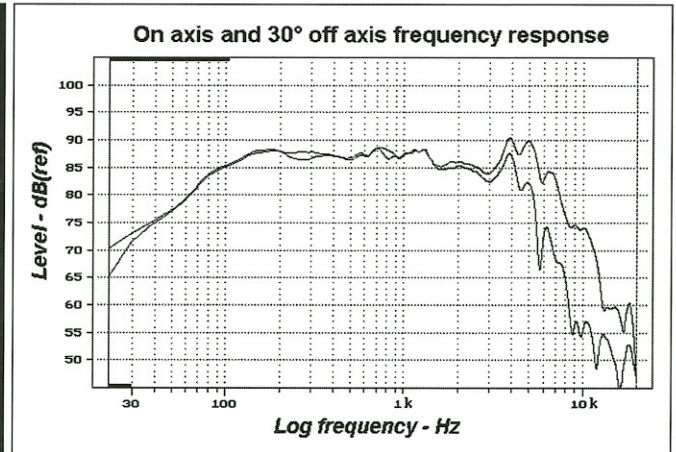
- Thick zamak alloy metal cast frame
- Semi exponential Polyglass cone, rubber surround
- Edgewound flat copper 40 mm voice coil, Kapton™ former, 10 ohms impedance
- Efficiency : 88.5 dB
- Very practical for 13 l vented systems and for dual driver applications



DRAWING



MEASUREMENTS



SPECIFICATIONS

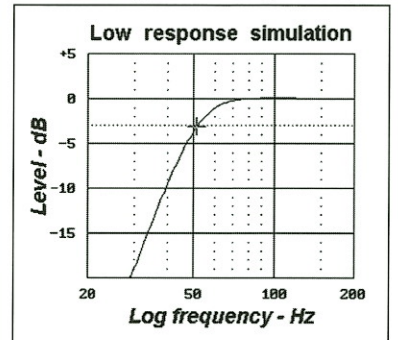
Nominal power handling	110	W
Program power handling	150	W
Sensitivity	88.5	dB (2.8V/1m)
Cone	Polyglass	
Surround	Rubber	
Nominal impedance	10	Ω
DC resistance	7.8	Ω
VC diameter	40	mm
VC height	16.5	mm
Former	Kapton™	
Layers	1	
Wire	Copper	
Inductance	0.85	mH
X _{max}	5.25	mm
Magnet diameter x height	100 x 18	mm x mm
Magnet weight	564	g
Flux density	1.12	T
Gap height	6	mm
Net weight	1.8	kg

PARAMETERS

F _s	45.9	Hz
V _{as}	17.4	l
Q _{ts}	0.35	
Q _{es}	0.37	
Q _{ms}	6.60	
R _e	7.6	Ω
S _d	124.7	cm ²
C _{as}	124E-9	m ² /N
M _{as}	97.1	kg/m ⁴
R _{as}	4 243.9	Ω.ac
C _{ms}	796E-6	m/N
M _{ms}	15.1	g
R _{ms}	661	g/s
C _{es}	167.5	μF
L _{es}	57.9	mH
R _{es}	135.6	Ω
Bl	9.5	N/A
SPL	88.4	dB/W/m

SIMULATION

Ql:	7	
Rg:	0.3	Ω
Qts (+Rg):	0.41	



V _b :	13	l
F _b :	51.8	Hz
F-3:	51.2	Hz