

6 W 4311

6-1/2" W® cone woofer-midrange



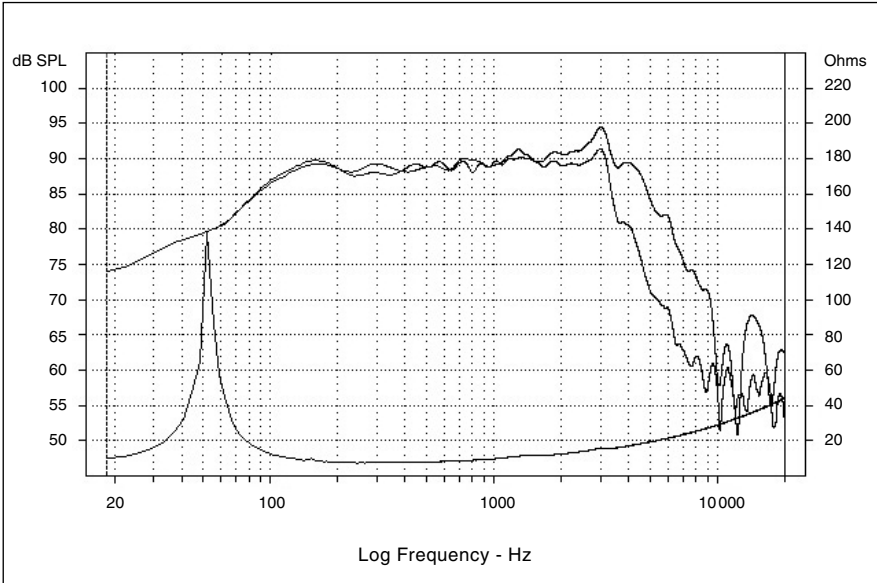
- Thick zamak alloy metal cast frame
- Straight profile "W"® cone, rubber surround
- Edgewound flat copper wire 32mm voice coil, black Kapton® former
- Efficiency: 90dB
- Excellent choice for high resolution 10 to 15l vented 2-way systems



Specifications

Nominal power	90 W	
Maximum power	125 W	
Sensitivity	89.18 dB	
Cone	"W"®	
Surround	rubber	
Nom. impedance	6 ohms	
DC resistance	6.6 ohms	
VC diameter	32 mm	4.96 in
VC height	16 mm	0.63 in
Former	Kapton®	
Layers	2	
Wire	copper	
Inductance	0.68 mH	
Xmax	5 mm	0.20 in
Magnet d x h	100 x 18 mm	3.93 x 0.70 in
Magnet weight	564 g	1.24 lb
Flux density	1.1 T	
Gap height	6 mm	0.24 in
Net weight	1.8 kg	3.97 lb

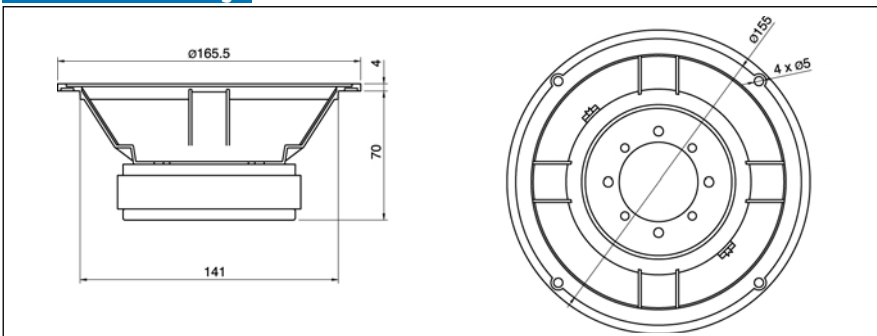
Frequency Response / Impedance



Parameters

Fs	50.1 Hz	
Vas	22.3 l	1360.8 in3
Qts	0.38	
Qes	0.4	
Qms	6.73	
Re	6.6 ohms	
Sd	136.8 Cm ²	21.2 in ²
Cas	159E-09 m5/N	
Mas	63.7 kg/m4	
Ras	2974.2 ohms.ac	
Cms	0848E-6 m/N	
Mms	11.92 g	0.026 lb
Rms	0.56 g/s	
Ces	192.7 mF	
Les	52.5 mH	
Res	111 ohms	
BI	7.86 N/A	
SPL	90.3 dB/W/m	

Mechanical Drawing



Suggested application

Load	V (l)	Fb (Hz)	F-3 (Hz)	Ql
Vented	14	58	57	7

Focal® is a trademark of Focal-JMLab®