

# 6 W 4311 B

6-1/2" W® cone woofer-midrange



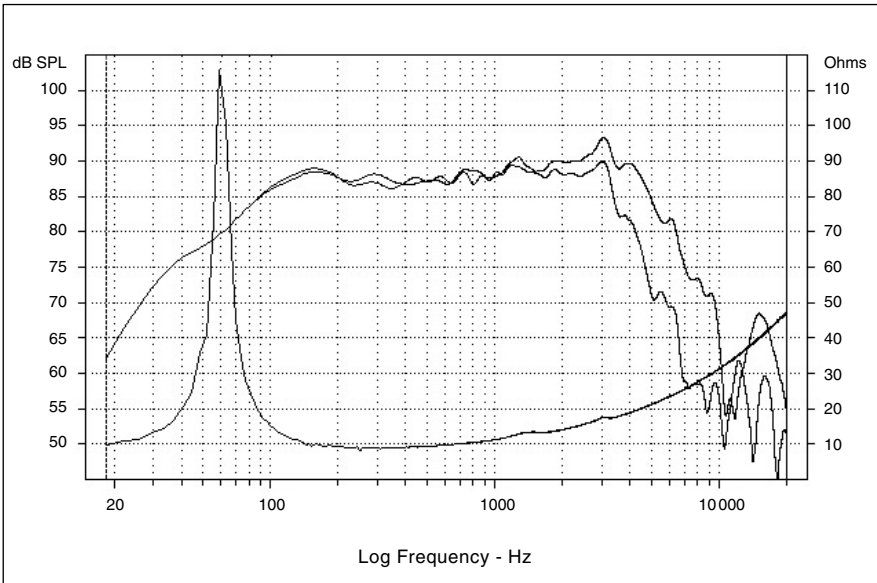
- Thick zamak alloy metal cast frame
- Straight profile "W"® cone, rubber surround
- Edgewound flat copper wire 32mm voice coil, black Kapton® former
- Efficiency: 90dB, 10 ohms impedance
- Excellent choice for high resolution 10 to 15 l vented 2-way systems, ideal for center speaker



## Specifications

Nominal power	90 W	
Maximum power	125 W	
Sensitivity	87.83 dB	
Cone	"W"®	
Surround	rubber	
Nom. impedance	8 ohms	
DC resistance	8.18 ohms	
VC diameter	32 mm	4.96 in
VC height	16 mm	0.63 in
Former	Kapton®	
Layers	2	
Wire	copper	
Inductance	0.81 mH	
Xmax	5 mm	0.20 in
Magnet d x h	100 x 18 mm	3.93 x 0.70 in
Magnet weight	564 g	1.24 lb
Flux density	1.1 T	
Gap height	6 mm	0.24 in
Net weight	2.2 kg	4.85 lb

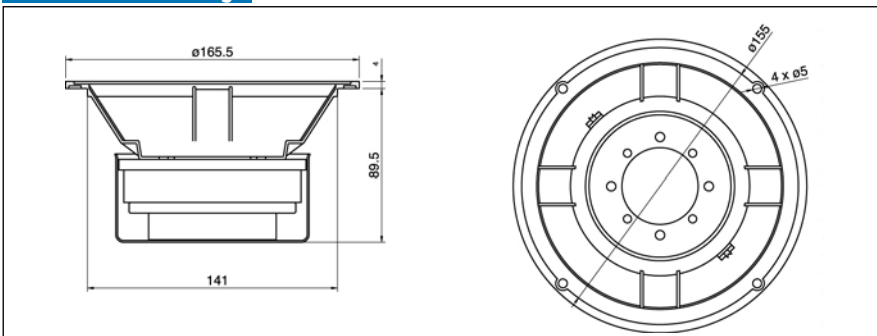
## Frequency Response / Impedance



## Parameters

Fs	52.3 Hz	
Vas	18.6 l	1135 in <sup>3</sup>
Qts	0.48	
Qes	0.51	
Qms	8.24	
Re	8.18 ohms	
Sd	136.8 Cm <sup>2</sup>	21.2 in <sup>2</sup>
Cas	133E-09 m5/N	
Mas	69.8 kg/m4	
Ras	2784.3 ohms.ac	
Cms	0708E-6 m/N	
Mms	13.07 g	0.029 lb
Rms	0.52 g/s	
Ces	189.7 mF	
Les	48.8 mH	
Res	132.2 ohms	
BI	8.3 N/A	
SPL	89 dB/W/m	

## Mechanical Drawing



## Suggested application

Load	V (l)	Fb (Hz)	F-3 (Hz)	Ql
Vented	12	47.6	61	7

Focal® is a trademark of Focal-JMLab®