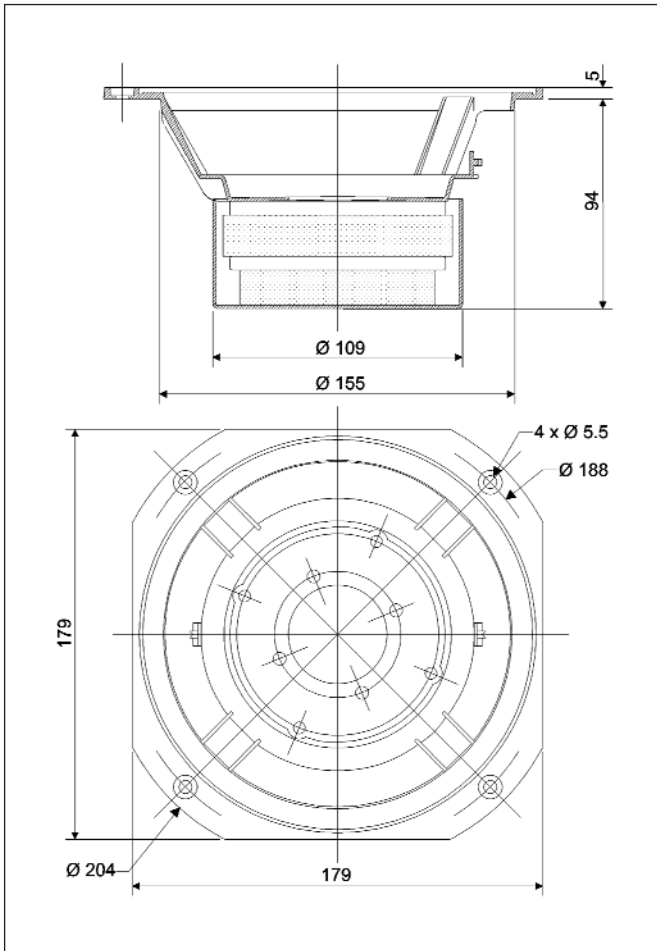


AUDIOPHILE SERIES

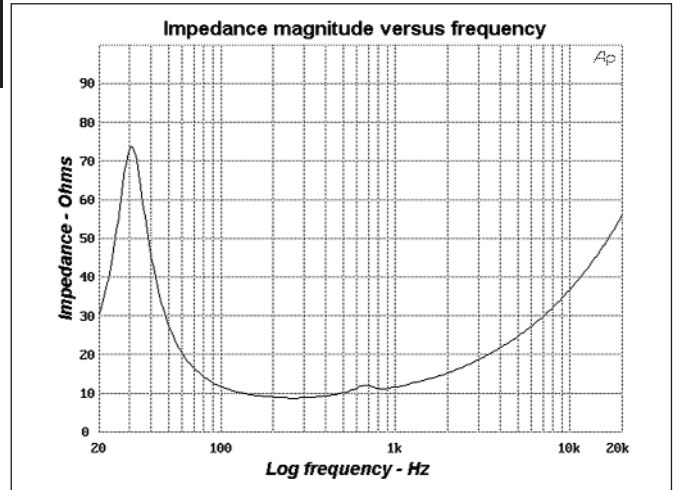
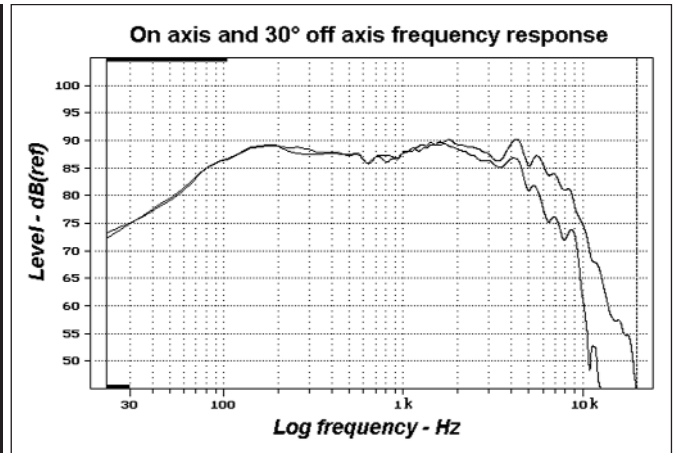
- Thick zamak alloy metal cast frame
- Semi exponential profile light PolyKevlar® cone, rubber surround
- Edgewound flat copper wire 40 mm voice coil, Kapton™ former, 10 ohms impedance
- Efficiency : 89 dB
- High power, low compression driver, dual driver applications



DRAWING



MEASUREMENTS



SPECIFICATIONS

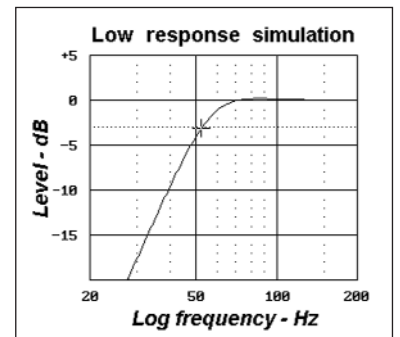
Nominal power handling	115	W
Program power handling	165	W
Sensitivity	89	dB (2.8V/1m)
Cone	Polykevlar®	
Surround	Rubber	
Nominal impedance	10	Ω
DC resistance	7.8	Ω
VC diameter	40	mm
VC height	16.5	mm
Former	Kapton™	
Layers	1	
Wire	Copper	
Inductance	0.71	mH
Xmax	5.25	mm
Magnet diameter x height	100 x 18	mm x mm
Magnet weight	564	g
Flux density	1.06	T
Gap height	6	mm
Net weight	2.4	kg

PARAMETERS

Fs	32.3	Hz
Vas	51.0	l
Qts	0.28	
Qes	0.30	
Qms	3,00	
Re	7.8	Ω
Sd	162.9	cm²
Cas	366E-9	m²/N
Mas	66.4	kg/m⁴
Ras	4 488.9	Ω.ac
Cms	138E-5	m/N
Mms	17.6	g
Rms	1 192	g/s
Ces	189.5	μF
Les	128.1	mH
Res	78.0	Ω
Bl	9.6	N/A
SPL	89.4	dB/W/m

SIMULATION

Ql:	7	Ω
Rg:	0.3	
Qts (+Rg):	0.28	



Vb:	17	l
Fb:	48.7	Hz
F-3:	52.2	Hz