

# 7 K 4412

7" Polykevlar® woofer-midrange



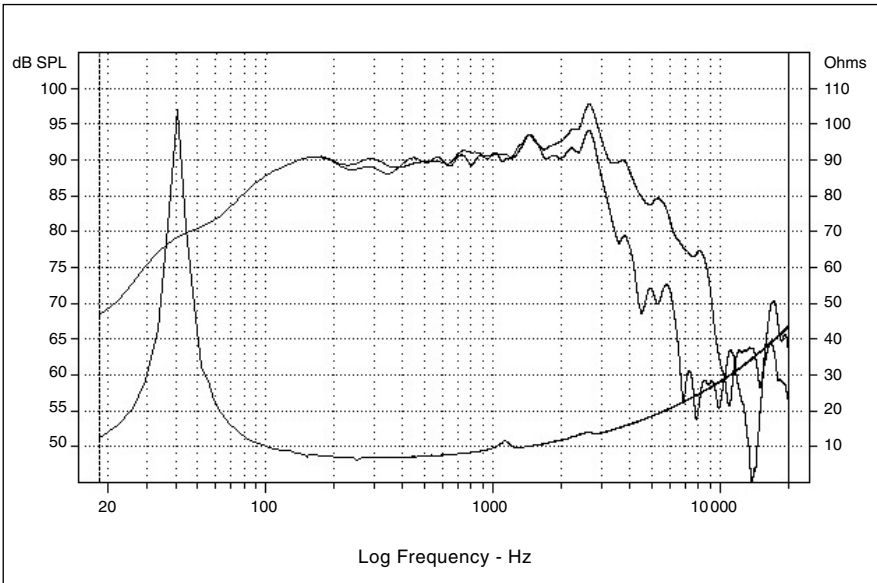
- Thick zamak alloy metal cast frame
- Straight profile Polykevlar® cone, rubber surround
- Edgewound flat copper wire 40mm voice coil, black Kapton® former
- Efficiency: 90.7dB
- High power, low compression driver, dual driver applications



## Specifications

Nominal power	90 W	
Maximum power	125 W	
Sensitivity	89.59 dB	
Cone	Kevlar®	
Surround	rubber	
Nom. impedance	6 ohms	
DC resistance	6.1 ohms	
VC diameter	40 mm	6.20 in
VC height	13 mm	0.51 in
Former	Kapton®	
Layers	1	
Wire	copper	
Inductance	0.77 mH	
Xmax	3.5 mm	0.14 in
Magnet d x h	100 x 18 mm	3.93 x 0.70 in
Magnet weight	564 g	1.24 lb
Flux density	1.3 T	
Gap height	6 mm	0.24 in
Net weight	1.9 kg	4.19 lb

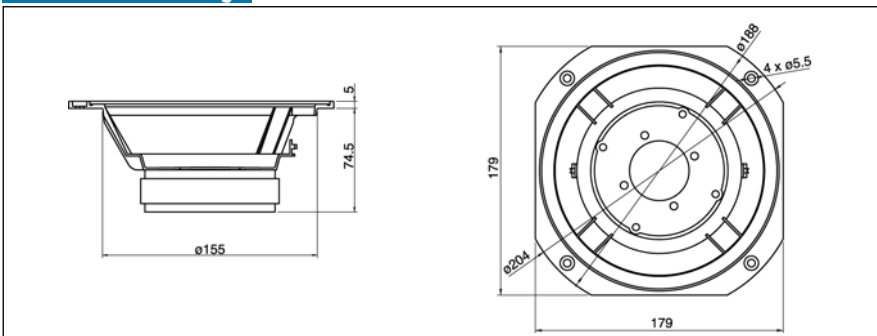
## Frequency Response / Impedance



## Parameters

Fs	40.6 Hz	
Vas	40.5 l	2471.5 in3
Qts	0.33	
Qes	0.35	
Qms	6	
Re	6.1 ohms	
Sd	176.7 Cm <sup>2</sup>	27.4 in <sup>2</sup>
Cas	288E-09 m5/N	
Mas	53.3 kg/m4	
Ras	2267.1 ohms.ac	
Cms	0923E-6 m/N	
Mms	16.66 g	0.037 lb
Rms	0.71 g/s	
Ces	225 mF	
Les	68.4 mH	
Res	104.6 ohms	
BI	8.6 N/A	
SPL	90.7 dB/W/m	

## Mechanical Drawing



## Suggested application

Load	V (l)	Fb (Hz)	F-3 (Hz)	Ql
Vented	22	54.8	53.7	7

Focal® is a trademark of Focal-JMLab®