

7 K 6411

7" Polykevlar® midrange



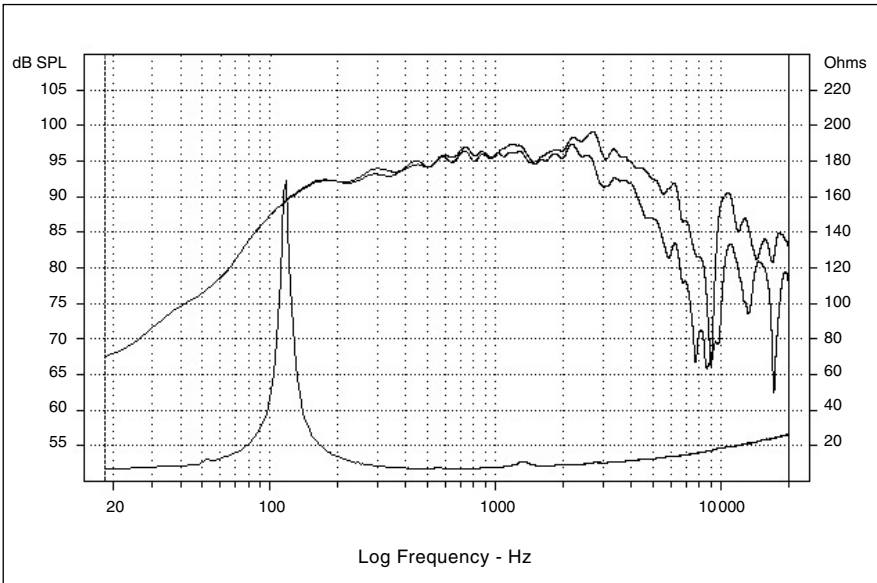
- Thick zamak alloy metal cast frame
- Semi exponential profile Polykevlar® cone, coated fabric surround
- Edgewound flat copper wire 40mm voice coil, black Kapton® former
- Efficiency: 96dB
- Superb transient response and very high efficiency



Specifications

Nominal power	100 W	
Maximum power	250 W	
Sensitivity	94.81 dB	
Cone	Kevlar®	
Surround	coated fabric	
Nom. impedance	6 ohms	
DC resistance	6.5 ohms	
VC diameter	40 mm	6.20 in
VC height	10 mm	0.39 in
Former	Kapton®	
Layers	1	
Wire	copper	
Inductance	0.3 mH	
Xmax	2.0 mm	0.08 in
Magnet d x h	134 x 20 mm	5.27 x 0.78 in
Magnet weight	1160 g	2.56 lb
Flux density	1.5 T	
Gap height	6 mm	0.24 in
Net weight	3 kg	6.61 lb

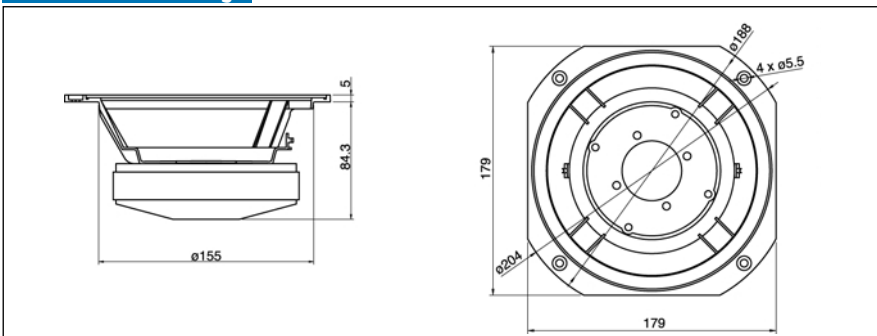
Frequency Response / Impedance



Parameters

Fs	116.8 Hz	
Vas	7.1 l	433.3 in3
Qts	0.43	
Qes	0.45	
Qms	11.99	
Re	6.5 ohms	
Sd	162.9 Cm ²	25.2 in ²
Cas	508E-10 m5/N	
Mas	36.5 kg/m4	
Ras	2236.3 ohms.ac	
Cms	0.192E-6 m/N	
Mms	9.69 g	0.021 lb
Rms	0.59 g/s	
Ces	94.3 mF	
Les	19.7 mH	
Res	173.2 ohms	
BI	10.14 N/A	
SPL	95.9 dB/W/m	

Mechanical Drawing



Suggested application

Load	V (l)	Fb (Hz)	F-3 (Hz)	Ql

Focal® is a trademark of Focal-Jmlab®