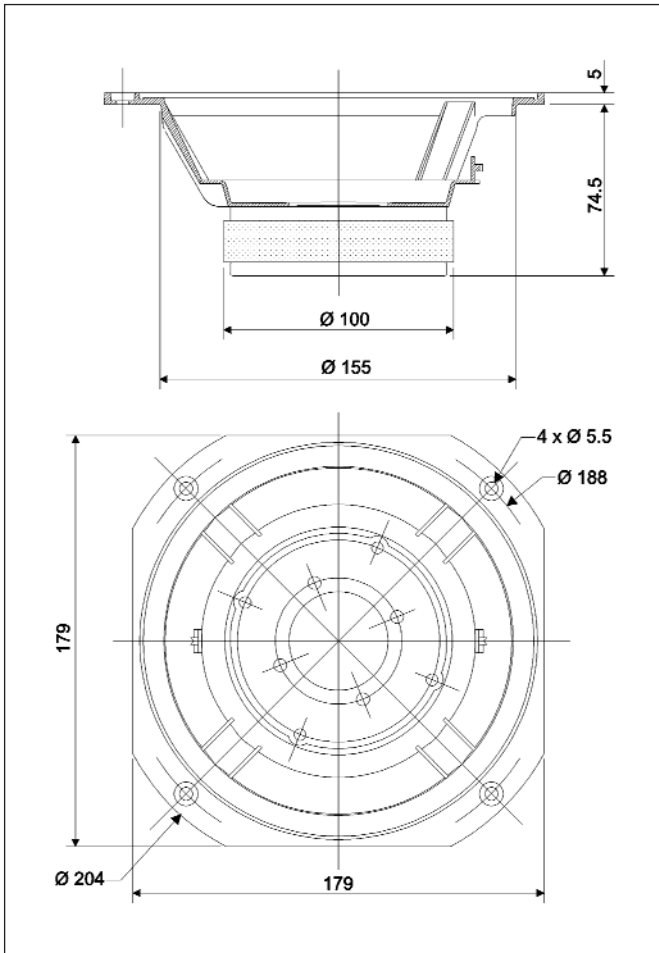


AUDIOPHILE SERIES

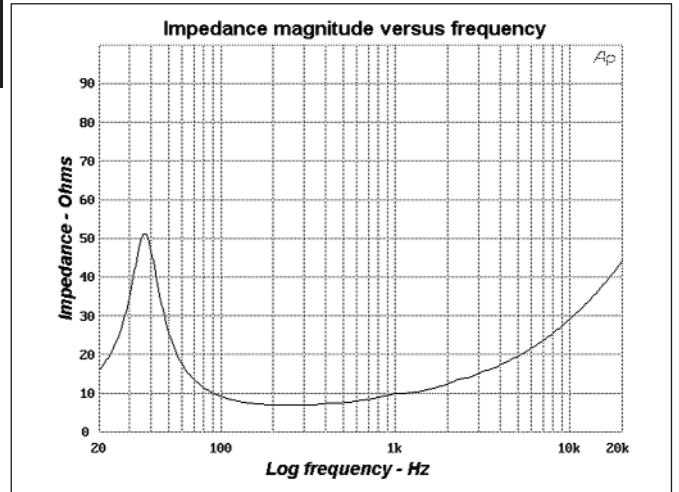
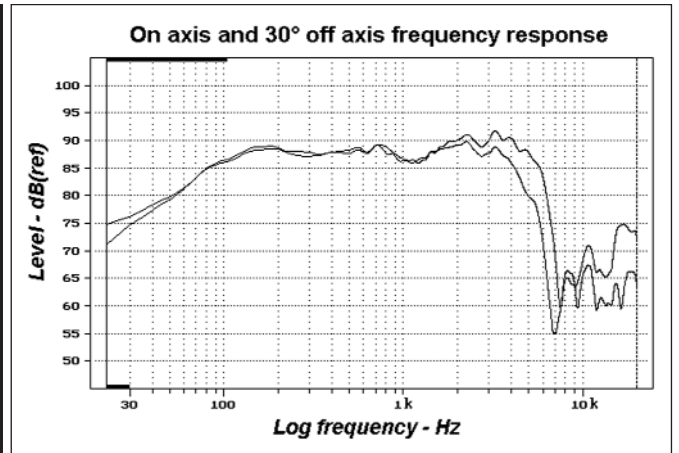
- Thick zamak alloy metal cast frame
- Semi exponential Neoglass cone, rubber surround
- Edgewound flat copper wire 40 mm voice coil, Kapton™ former, phase plug
- Efficiency : 89.2 dB
- Excellent choice for high resolution 20 l vented 2-way systems



DRAWING



MEASUREMENTS



SPECIFICATIONS

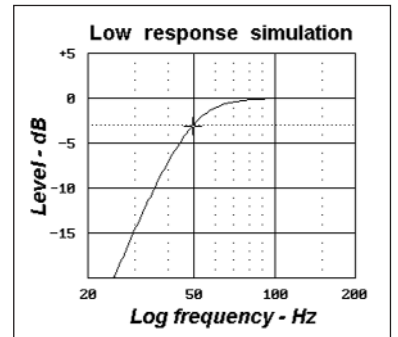
Nominal power handling	90	W
Program power handling	125	W
Sensitivity	89.2	dB (2.8V/1m)
Cone	Neoglass	
Surround	Rubber	
Nominal impedance	8	Ω
DC resistance	6.2	Ω
VC diameter	40	mm
VC height	13	mm
Former	Kapton™	
Layers	1	
Wire	Copper	
Inductance	0.69	mH
Xmax	3.5	mm
Magnet diameter x height	100 x 18	mm x mm
Magnet weight	564	g
Flux density	1.04	T
Gap height	6	mm
Net weight	1.7	kg

PARAMETERS

Fs	37.8	Hz
Vas	38.0	l
Qts	0.33	
Qes	0.37	
Qms	3.12	
Re	5.9	Ω
Sd	162.9	cm ²
Cas	270E-9	m ² /N
Mas	65.5	kg/m ⁴
Ras	4 987.9	Ω .ac
Cms	102E-5	m/N
Mms	17.4	g
Rms	1 323	g/s
Ces	265.3	μ F
Les	66.8	mH
Res	49.5	Ω
Bl	8.1	N/A
SPL	89.3	dB/W/m

SIMULATION

Ql:	7	Ω
Rg:	0.3	
Qts (+Rg):	0.35	



Vb:	20	l
Fb:	43.9	Hz
F-3:	49.2	Hz