

7 W 4411

7" W[®] cone woofer-midrange



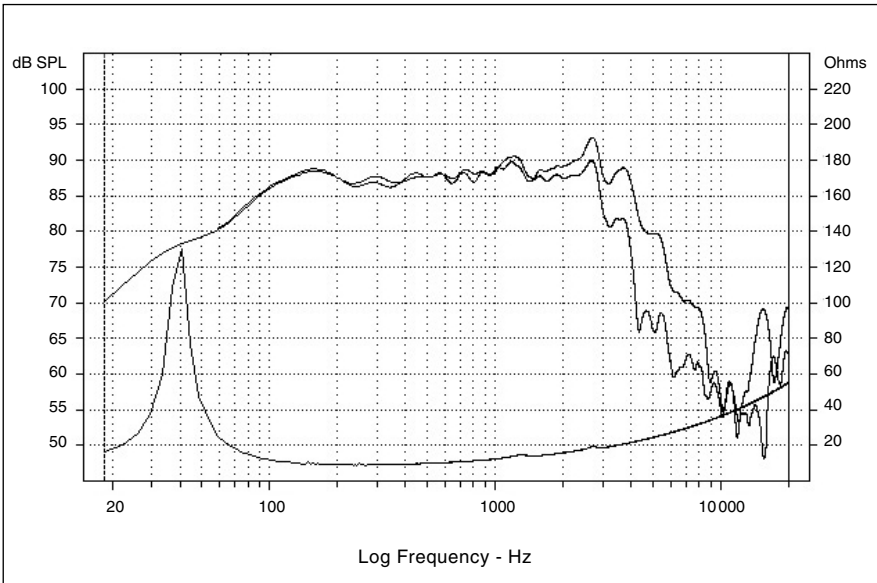
- Thick zamak alloy metal cast frame
- Straight profile "W"[®] cone, rubber surround
- Edgewound flat copper wire 40mm voice coil, black Kapton[®] former
- Efficiency: 89.3dB, 10 ohms impedance
- Excellent choice for high resolution in 20 to 25l vented 2-way systems and for dual driver applications



Specifications

Nominal power	90 W	
Maximum power	125 W	
Sensitivity	87.98 dB	
Cone	"W" [®]	
Surround	rubber	
Nom. impedance	8 ohms	
DC resistance	7.8 ohms	
VC diameter	40 mm	6.20 in
VC height	17 mm	0.67 in
Former	Kapton [®]	
Layers	1	
Wire	copper	
Inductance	0.69 mH	
Xmax	5.5 mm	0.22 in
Magnet d x h	100 x 18 mm	3.93 x 0.708 in
Magnet weight	564 g	1.24 lb
Flux density	1.3 T	
Gap height	6 mm	0.24 in
Net weight	1.9 kg	4.19 lb

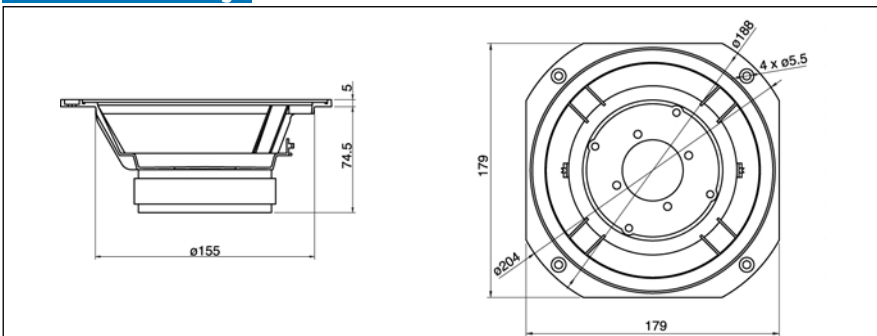
Frequency Response / Impedance



Parameters

Fs	39.5 Hz	
Vas	33.9 l	2068.7 in3
Qts	0.36	
Qes	0.38	
Qms	7	
Re	7.8 ohms	
Sd	165.1 Cm ²	25.6 in ²
Cas	241E-09 m5/N	
Mas	67.2 kg/m4	
Ras	2384.6 ohms.ac	
Cms	0885E-6 m/N	
Mms	18.33 g	0.040 lb
Rms	0.65 g/s	
Ces	196.2 mF	
Les	82.7 mH	
Res	143.7 ohms	
BI	9.67 N/A	
SPL	89.3 dB/W/m	

Mechanical Drawing



Suggested application

Load	V (l)	Fb (Hz)	F-3 (Hz)	Ql
Vented	18	50.6	51.6	7
Vented	20	48	49	7

Focal[®] is a trademark of Focal-JMLab[®]