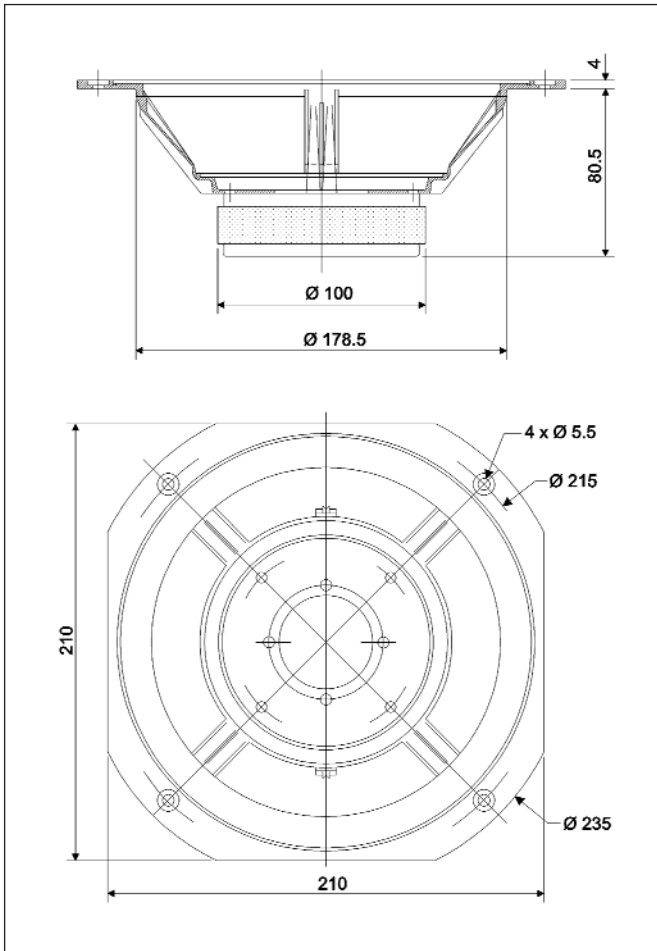
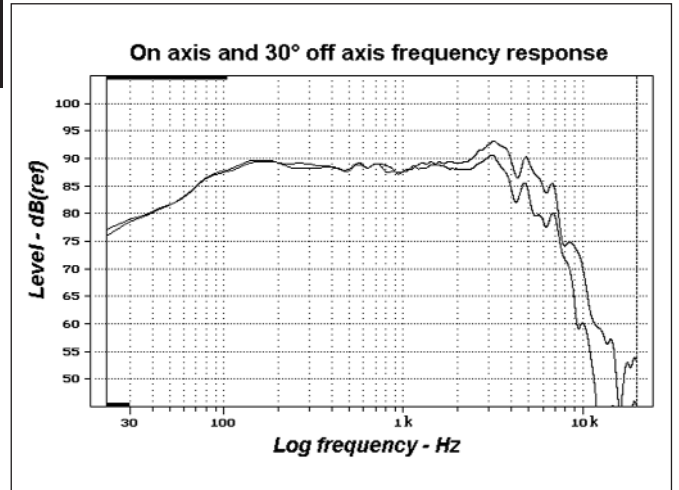
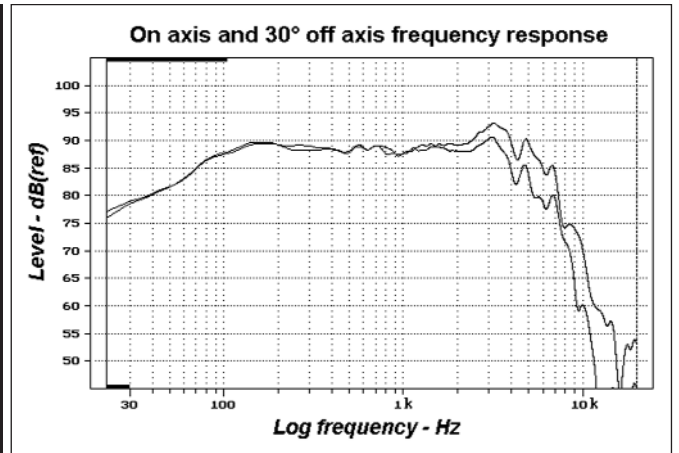


- Thick zamak alloy metal cast frame
- Semi exponential Polyglass cone, rubber surround
- Edgewound flat copper wire 40 mm voice coil, Kapton™ former, 10 ohms impedance
- Efficiency : 89.7 dB
- Superb bass response in 40 l vented 2-way systems, high power handling


**DRAWING**

**MEASUREMENTS**

**SPECIFICATIONS**

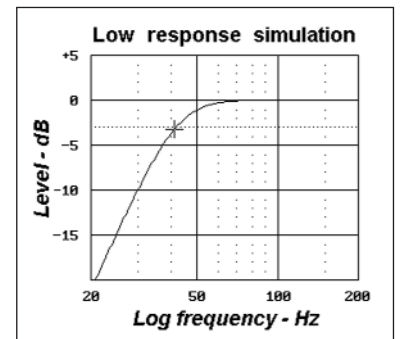
Nominal power handling	125	W
Program power handling	175	W
Sensitivity	89.7	dB (2.8V/1m)
Cone	Polyglass	
Surround	Rubber	
Nominal impedance	10	Ω
DC resistance	7.8	Ω
VC diameter	40	mm
VC height	16.5	mm
Former	Kapton™	
Layers	1	
Wire	Copper	
Inductance	0.9	mH
Xmax	5.25	mm
Magnet diameter x height	100 x 18	mm x mm
Magnet weight	564	g
Flux density	1.06	T
Gap height	6	mm
Net weight	1.8	kg

**PARAMETERS**

Fs	27.4	Hz
Vas	105.9	l
Qts	0.30	
Qes	0.33	
Qms	2.90	
Re	7.7	Ω
Sd	221.67	cm²
Cas	754E-9	m²/N
Mas	44.8	kg/m⁴
Ras	2 656.9	Ω.ac
Cms	153E-5	m/N
Mms	22.0	g
Rms	1 306	g/s
Ces	248.4	μF
Les	135.9	mH
Res	67.8	Ω
Bl	9.4	N/A
SPL	90.0	dB/W/m

**SIMULATION**

Ql:	7	Ω
Rg:	0.3	
Qts (+Rg):	0.31	



Vb:	40	l
Fb:	36.2	Hz
F-3:	41.1	Hz