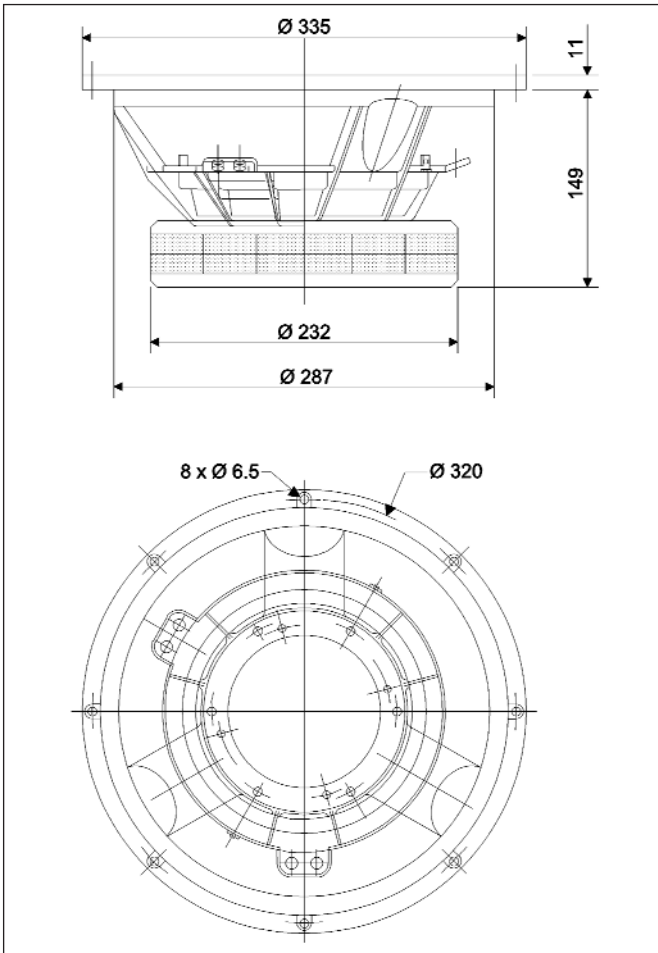


AUDIOM SERIES

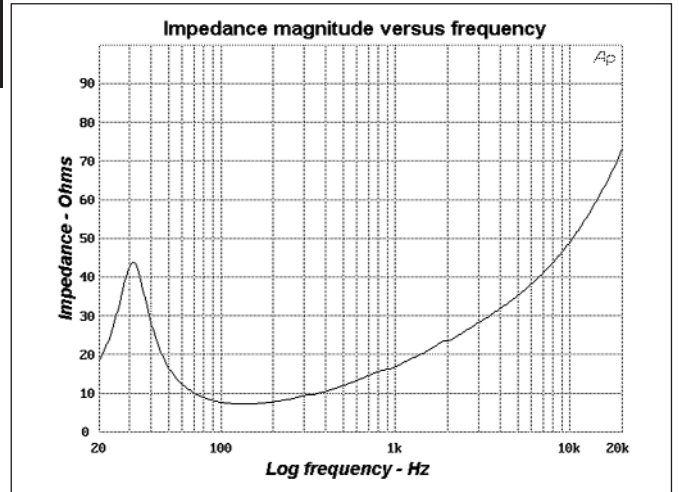
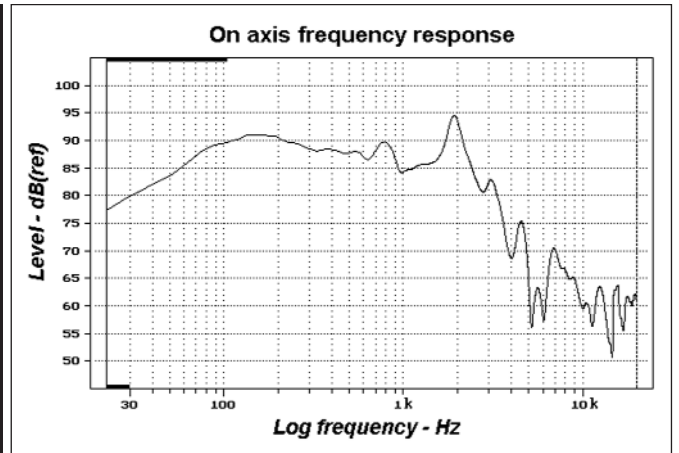
- Thick zamak alloy metal cast frame
- Straight profile PolyKevlar® cone, large rubber surround
- Edgewound flat copper wire 77 mm voice coil, black aluminium former
- Efficiency : 91.2 dB
- Tremendous authority, superb bass response in 85 l vented systems (34 Hz -3 dB)



DRAWING



MEASUREMENTS



SPECIFICATIONS

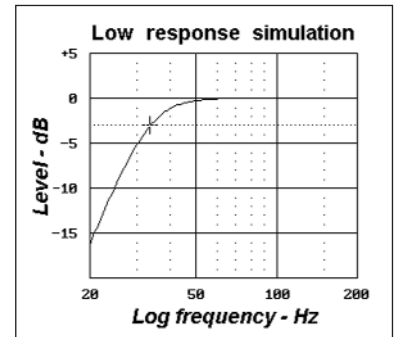
Nominal power handling	225	W
Program power handling	275	W
Sensitivity	91.2	dB (2.8V/1m)
Cone	Polykevlar®	
Surround	Rubber	
Nominal impedance	8	Ω
DC resistance	6.2	Ω
VC diameter	77	mm
VC height	22	mm
Former	Black Aluminium	
Layers	1	
Wire	Copper	
Inductance	1.62	mH
Xmax	6	mm
Magnet diameter x height	235 multi magnets	mm x mm
Magnet weight	233 x 12	g
Flux density	1.02	T
Gap height	10	mm
Net weight	12.5	kg

PARAMETERS

Fs	28.8	Hz
Vas	127.0	l
Qts	0.33	
Qes	0.37	
Qms	2.69	
Re	6.1	Ω
Sd	530.9	cm ²
Cas	904E-9	m ² /N
Mas	33.7	kg/m ⁴
Ras	2 268.3	Ω .ac
Cms	321E-6	m/N
Mms	94.9	g
Rms	6 394	g/s
Ces	336.9	μ F
Les	90.4	mH
Res	44.1	Ω
Bl	16.8	N/A
SPL	91.0	dB/W/m

SIMULATION

Ql:	7	Ω
Rg:	1.0	
Qts (+Rg):	0.37	



Vb:	85	l
Fb:	31.4	Hz
F-3:	33.6	Hz