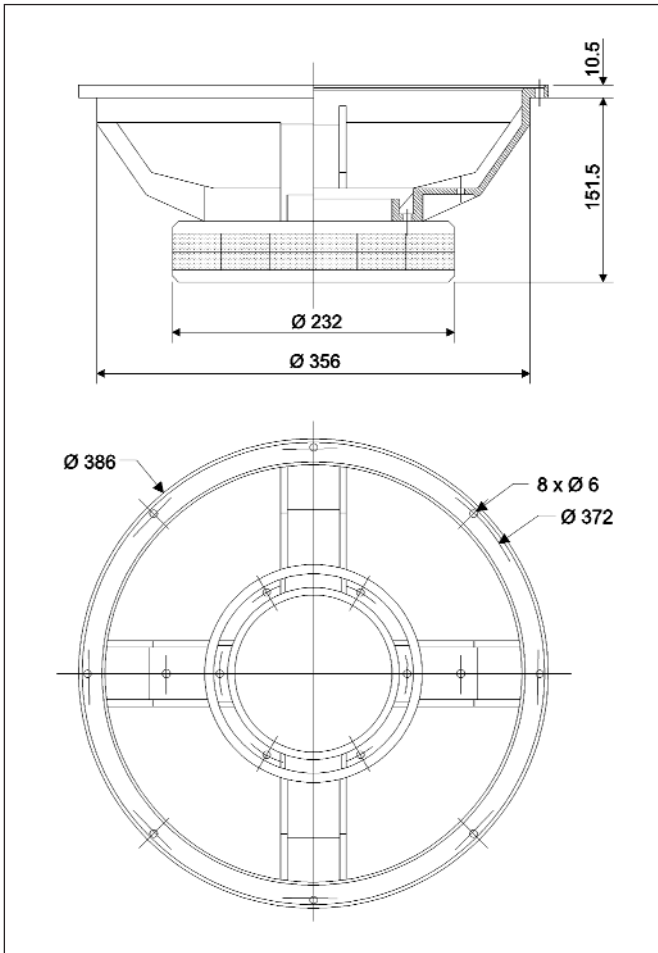


## AUDIOM SERIES

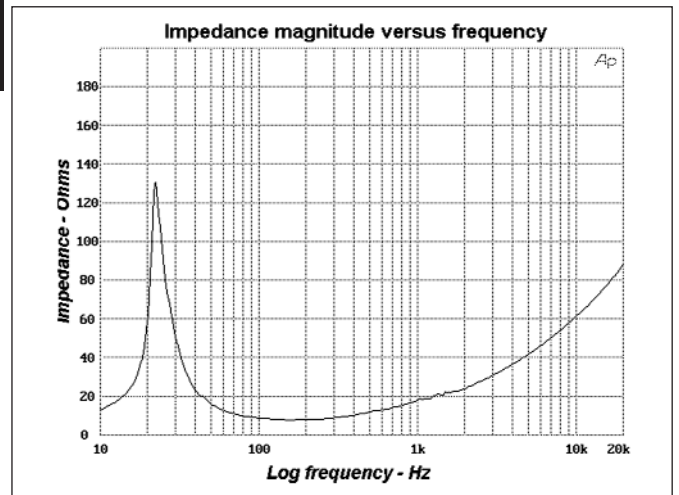
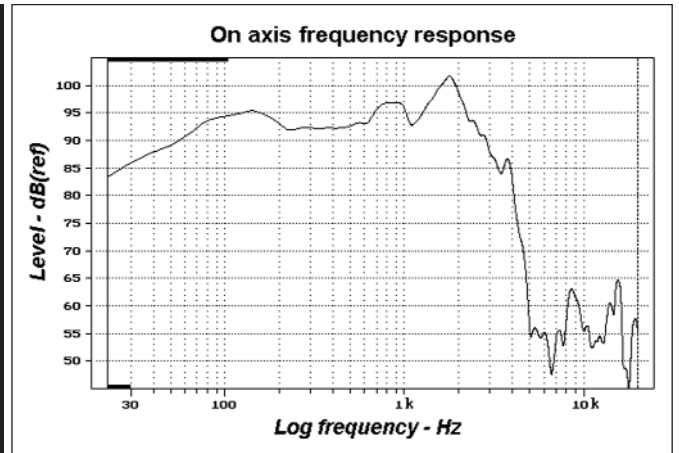
- Thick aluminium sand cast frame
- Straight profile coated paper cone, very compliant coated fabric surround
- Edgewound flat copper wire 77 mm voice coil, Kapton™ former
- Efficiency : 96 dB
- Ideal match with Audiom 7 A2 for high resolution high efficiency 3-way systems



### DRAWING



### MEASUREMENTS



### SPECIFICATIONS

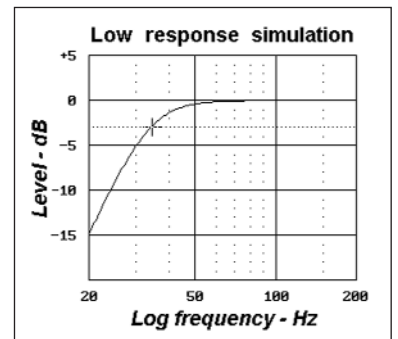
Nominal power handling	175	W
Program power handling	225	W
Sensitivity	96	dB (2.8V/1m)
Cone	Coated Paper	
Surround	Coated Fabric	
Nominal impedance	8	Ω
DC resistance	6	Ω
VC diameter	77	mm
VC height	15	mm
Former	Kapton™	
Layers	1	
Wire	Copper	
Inductance	1.98	mH
Xmax	2.5	mm
Magnet diameter x height	235 multi magnets	mm x mm
Magnet weight	233 x 12	g
Flux density	1.2	T
Gap height	10	mm
Net weight	12.3	kg

### PARAMETERS

Fs	22.8	Hz
Vas	635.0	l
Qts	0.31	
Qes	0.32	
Qms	11.53	
Re	6.1	Ω
Sd	855.3	cm²
Cas	452E-8	m²/N
Mas	10.8	kg/m⁴
Ras	134.2	Ω.ac
Cms	618E-6	m/N
Mms	79.2	g
Rms	982	g/s
Ces	366.4	μF
Les	133.6	mH
Res	221.2	Ω
Bl	14.7	N/A
SPL	95.5	dB/W/m

### SIMULATION

Ql:	7	Ω
Rg:	0.0	
Qts (+Rg):	0.31	



Vb:	245	l
Fb:	28.8	Hz
F-3:	34.3	Hz