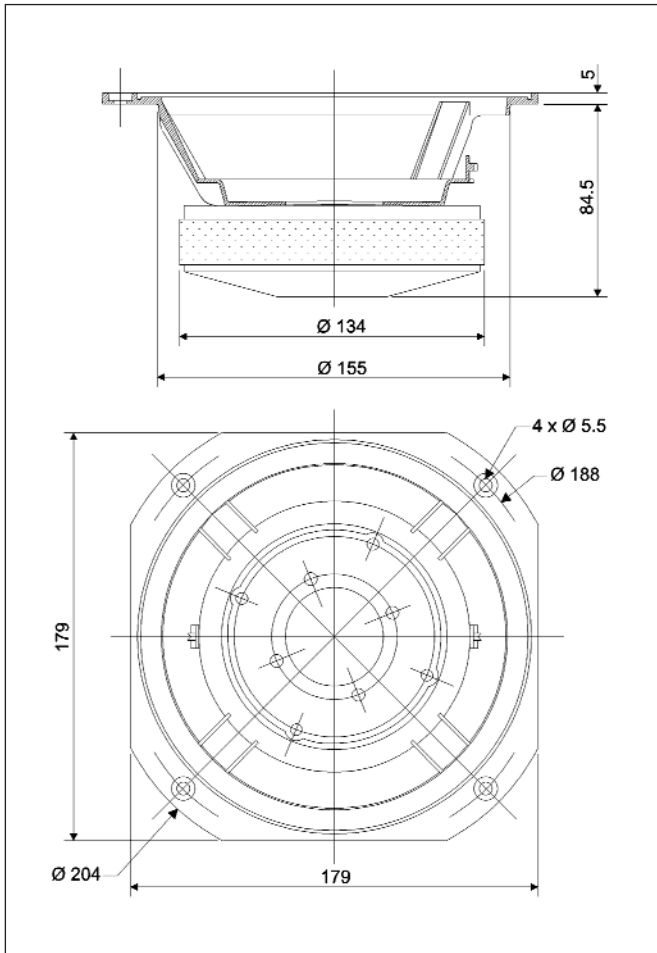
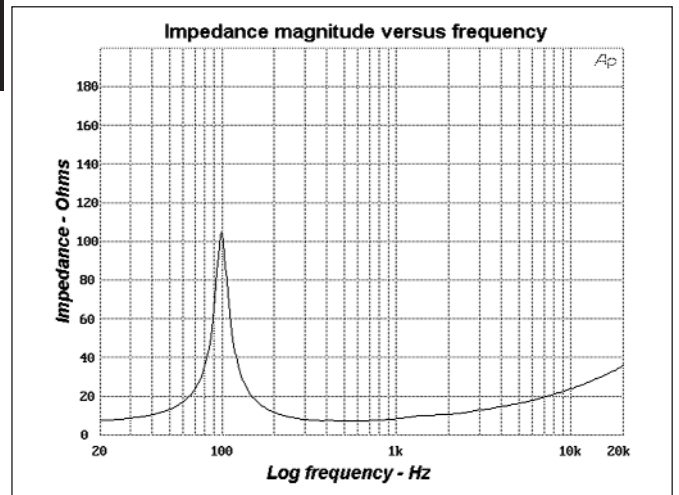
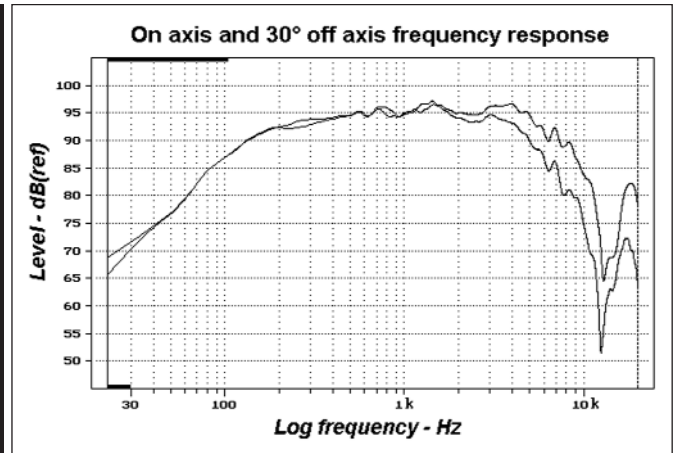


- Thick zamak alloy metal cast frame
- Semi exponential ultra light PolyKevlar® cone, coated fabric surround
- Edgewound flat copper wire 40 mm voice coil, Kapton™ former, phase plug
- Efficiency : 95.2 dB
- Exceptional frequency response, very high power handling

Audiom 7 K2

7" Polykevlar® midrange


DRAWING

MEASUREMENTS

SPECIFICATIONS

Nominal power handling	100	W
Program power handling	250	W
Sensitivity	95.2	dB (2.8V/1m)
Cone	Polykevlar®	
Surround	Coated Fabric	
Nominal impedance	8	Ω
DC resistance	6.2	Ω
VC diameter	40	mm
VC height	13	mm
Former	Kapton™	
Layers	1	
Wire	Copper	
Inductance	0.65	mH
Xmax	3.5	mm
Magnet diameter x height	134 x 20	mm x mm
Magnet weight	1160	g
Flux density	1.52	T
Gap height	6	mm
Net weight	3	kg

PARAMETERS

Fs	99.9	Hz
Vas	9.1	l
Qts	0.34	
Qes	0.36	
Qms	7.70	
Re	6.0	Ω
Sd	162.9	cm²
Cas	644E-10	m²/N
Mas	39.4	kg/m⁴
Ras	3 212.1	Ω.ac
Cms	243E-6	m/N
Mms	10.4	g
Rms	852	g/s
Ces	95.9	μF
Les	26.5	mH
Res	127.9	Ω
Bl	10.4	N/A
SPL	95.8	dB/W/m

SIMULATION

Ql:		Ω
Rg:		
Qts (+Rg):		
Vb:		l
Fb:		Hz
F-3:		Hz