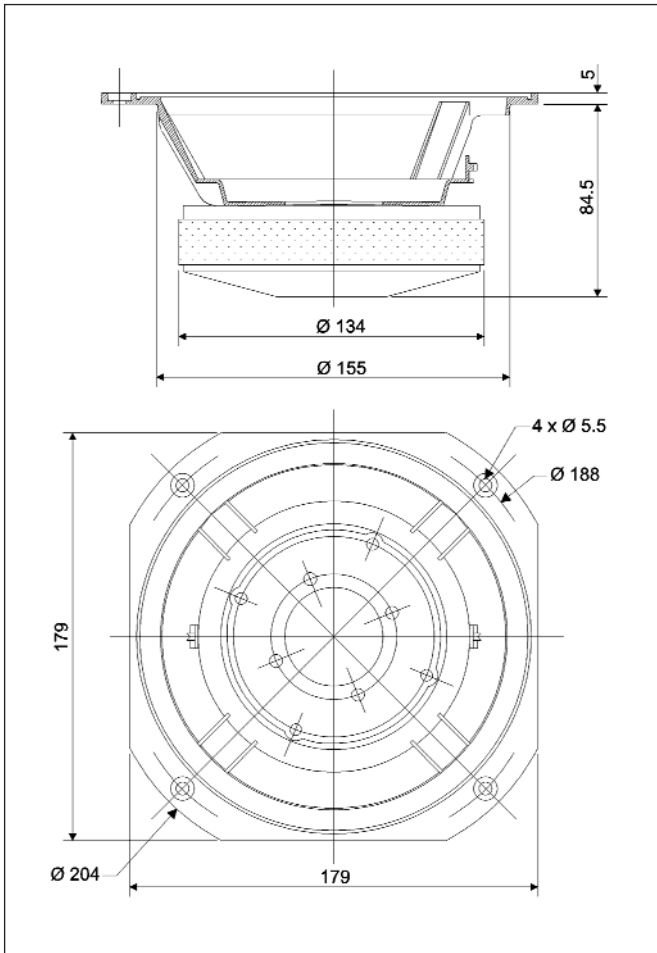


AUDIOM SERIES

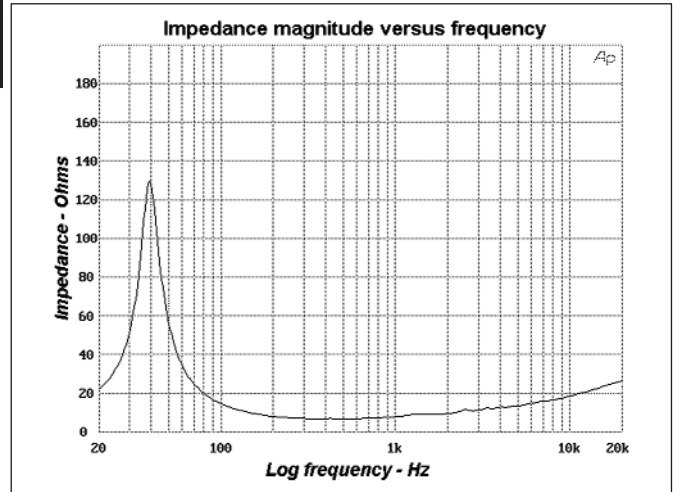
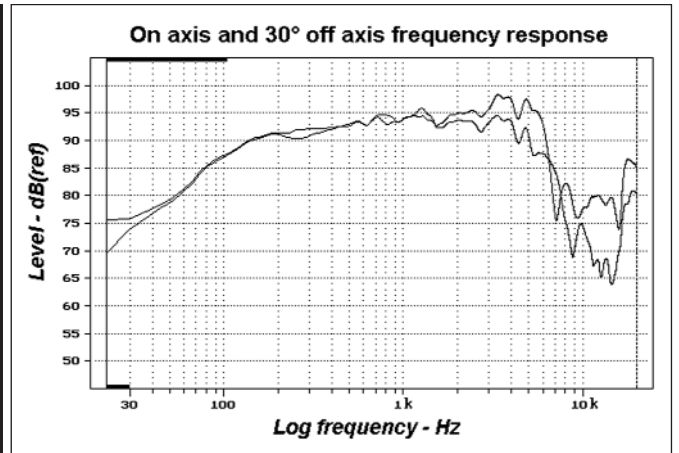
- Thick zamak alloy metal cast frame
- Semi exponential Neoglass cone, coated foam surround
- Edgewound flat aluminium wire 40 mm voice coil, Kapton™ former, phase plug
- Efficiency : 95 dB
- Very natural midrange for high definition systems, low resonance frequency



DRAWING



MEASUREMENTS



SPECIFICATIONS

Nominal power handling	85	W
Program power handling	175	W
Sensitivity	95	dB (2.8V/1m)
Cone	Neoglass	
Surround	Coated Foam	
Nominal impedance	8	Ω
DC resistance	6	Ω
VC diameter	40	mm
VC height	10	mm
Former	Kapton™	
Layers	1	
Wire	Aluminium	
Inductance	0.2	mH
Xmax	2	mm
Magnet diameter x height	134 x 20	mm x mm
Magnet weight	1160	g
Flux density	1.52	T
Gap height	6	mm
Net weight	3	kg

PARAMETERS

Fs	42.2	Hz
Vas	42.6	l
Qts	0.20	
Qes	0.21	
Qms	4.83	
Re	6.0	Ω
Sd	158.4	cm ²
Cas	303E-9	m ² /N
Mas	46.9	kg/m ⁴
Ras	2 573.1	Ω .ac
Cms	121E-5	m/N
Mms	11.8	g
Rms	645	g/s
Ces	132.6	μ F
Les	107.2	mH
Res	137.3	Ω
Bl	9.4	N/A
SPL	93.7	dB/W/m

SIMULATION

Ql:		Ω
Rg:		
Qts (+Rg):		
Vb:		l
Fb:		Hz
F-3:		Hz