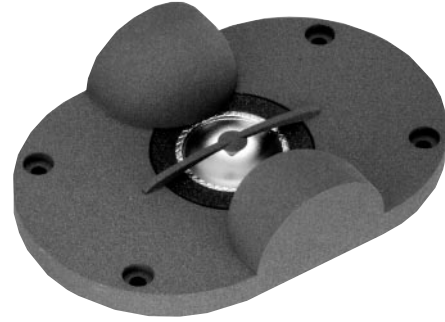
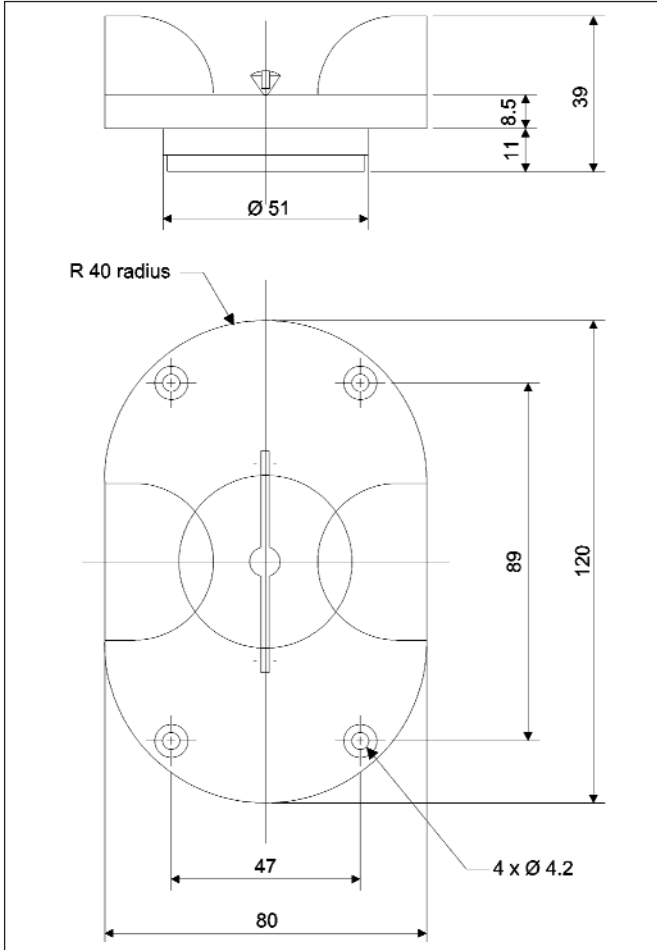


AUDIOM SERIES

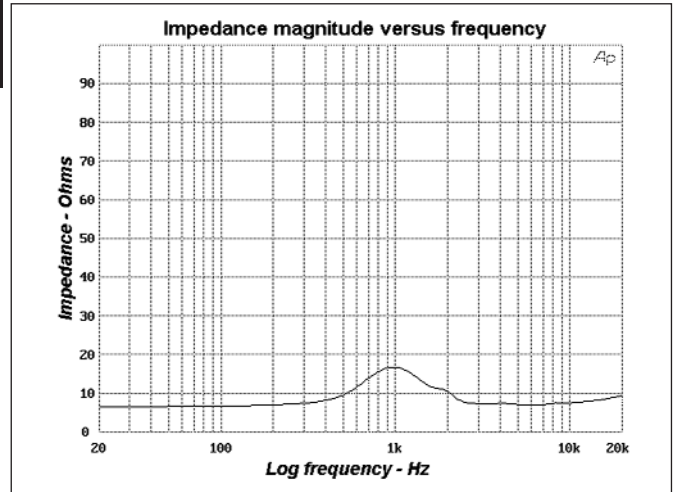
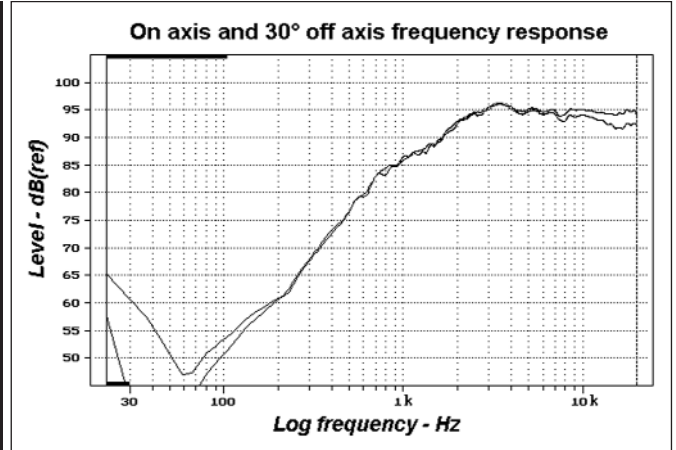
- 5 mm thick precision machined solid aluminium face plate with 2-part precision machined solid aluminium wave guides
- Inverted titanium dome, coated foam surround
- 20 mm diameter voice coil, aluminium former, Ferrofluid cooled
- Efficiency : 95 dB
- High force Neodymium ring magnet, Telar 57 pole and plates, phase plug



DRAWING



MEASUREMENTS



SPECIFICATIONS

Nominal power handling	15	W
Program power handling	150	W
Sensitivity	95	dB (2.8V/1m)
Cone	Titanium	
Surround	Coated Foam	
Nominal impedance	8	Ω
DC resistance	6	Ω
VC diameter	20	mm
VC height	2.2	mm
Former	Aluminium	
Layers	2	
Wire	Copper	
Inductance	0.08	mH
Xmax		mm
Magnet diameter x height	51 x 7	mm x mm
Magnet weight	69	g
Flux density	1.98	T
Gap height	2	mm
Net weight	0.3	kg

PARAMETERS

Fs	1058.78	Hz
Vas		l
Qts	0.51	
Qes	0.77	
Qms	1.51	
Re	6.0	Ω
Sd		cm ²
Cas		m ² /N
Mas		kg/m ⁴
Ras		Ω .ac
Cms		m/N
Mms		g
Rms		g/s
Ces		μ F
Les		mH
Res	11.7	Ω
Bl		N/A
SPL		dB/W/m

SIMULATION

Ql:		Ω
Rg:		
Qts (+Rg):		
Vb:		l
Fb:		Hz
F-3:		Hz