

Audiom 13 WX

13" W® cone woofer



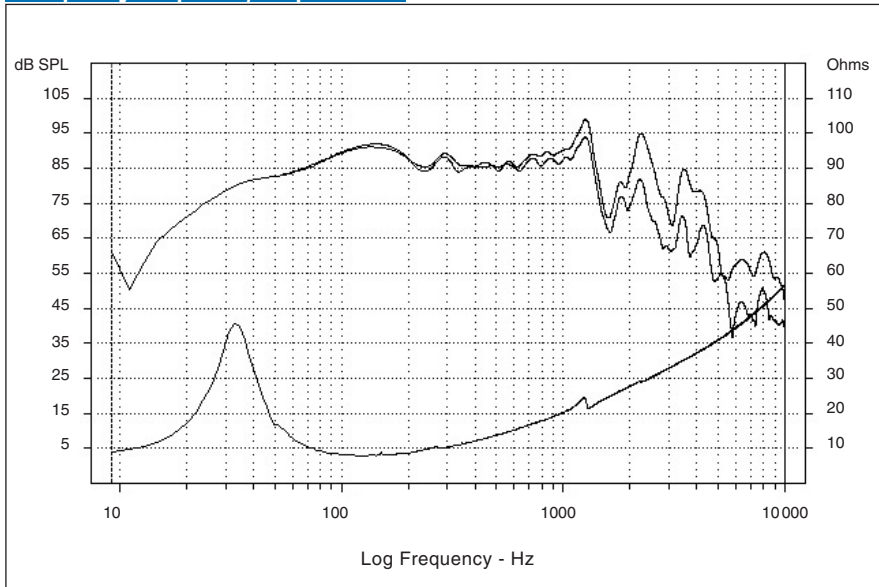
- Thick aluminium sand cast frame
- Straight profile "W"® cone, large rubber surround
- Edgewound flat copper wire 77mm voice coil, black aluminium former
- Efficiency: 90.9dB
- Shocking transients. extended bass response in 80 to 100l vented systems



Specifications

Nominal power	175 W	
Maximum power	300 W	
Sensitivity	89.9 dB	
Cone	"W"®	
Surround	rubber	
Nom. impedance	6 ohms	
DC resistance	6.25 ohms	
VC diameter	77 mm	11.94 in
VC height	22 mm	0.87 in
Former	aluminium	
Layers	1	
Wire	copper	
Inductance	2.15 mH	
Xmax	6 mm	0.24 in
Magnet d x h	12 x (72 x 15 mm)	12 x (0.47 x 2.83 in)
Magnet weight	233 x 12 g	
Flux density	1 T	
Gap height	10 mm	0.39 in
Net weight	13.7 kg	30.19 lb

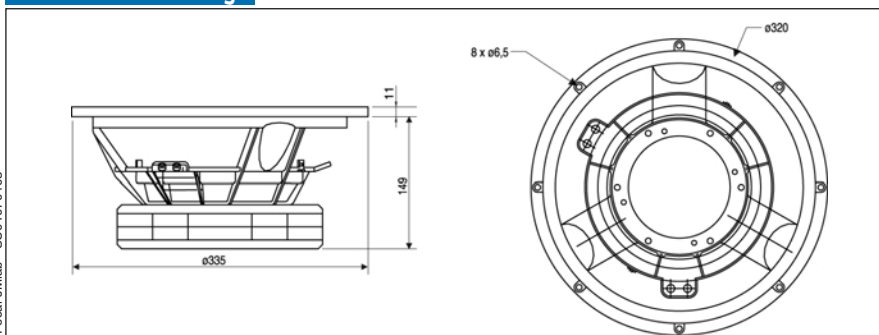
Frequency Response / Impedance



Parameters

Fs	33.6 Hz	
Vas	89 l	5431.1 in ³
Qts	0.37	
Qes	0.42	
Qms	2.83	
Re	6.25 ohms	
Sd	551.5 Cm ²	85.5 in ²
Cas	634E-09 m5/N	
Mas	35.5 kg/m4	
Ras	2645.7 ohms.ac	
Cms	0208E-6 m/N	
Mms	108.05 g	0.238 lb
Rms	8.05 g/s	
Ces	318.8 mF	
Les	70.6 mH	
Res	42.1 ohms	
BI	18.41 N/A	
SPL	90.9 dB/W/m	

Mechanical Drawing



Suggested application

Load	V (l)	Fb (Hz)	F-3 (Hz)	Ql
Vented	80	39.1	37.6	7
Vented	100	35.7	33	7

Focal® is a trademark of Focal-JMLab®