

Audiom 15 WX

15" W® cone woofer



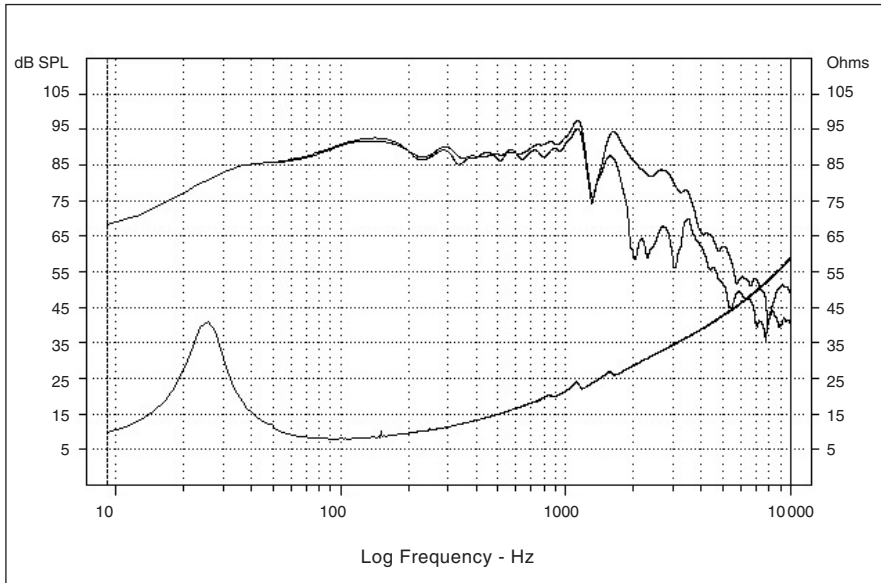
- Thick aluminium sand cast frame
- Straight profile "W"® cone, large rubber surround
- Edgewound flat copper wire 77mm voice coil, black aluminium former
- Efficiency: 92.4dB
- Truly unique features lead to absolutely exceptional performances



Specifications

Nominal power	225 W	
Maximum power	350 W	
Sensitivity	91.39 dB	
Cone	"W"®	
Surround	rubber	
Nom. impedance	6 ohms	
DC resistance	6.35 ohms	
VC diameter	77 mm	11.94 in
VC height	22 mm	0.87 in
Former	aluminium	
Layers	1	
Wire	copper	
Inductance	2.15 mH	
Xmax	6 mm	0.24 in
Magnet d x h	12x(72x15 mm)	12x(0.47x2.83 in)
Magnet weight	233 x 12 g	
Flux density	1.1 T	
Gap height	10 mm	0.39 in
Net weight	14 kg	30.86 lb

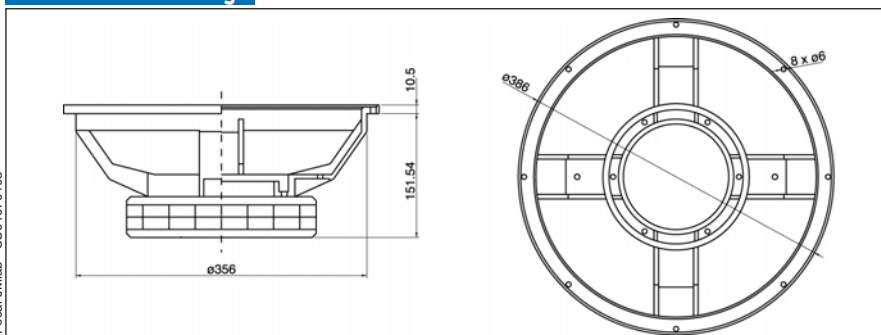
Frequency Response / Impedance



Parameters

Fs	24.4 Hz	
Vas	318.9 l	19948.6 in3
Qts	0.35	
Qes	0.41	
Qms	2.54	
Re	6.35 ohms	
Sd	855.3 Cm²	132.6 in2
Cas	2.27E-08 m5/N	
Mas	18.8 kg/m4	
Ras	1133 ohms.ac	
Cms	3.10E-04 m/N	
Mms	137.54 g	0.276 lb
Rms	8.29 g/s	
Ces	421.8 mF	
Les	101.2 mH	
Res	39.3 ohms	
BI	18.06 N/A	
SPL	92.4 dB/W/m	

Mechanical Drawing



Suggested application

Load	V (l)	Fb (Hz)	F-3 (Hz)	Ql
Vented	150	28.5	33	7
Vented	180	27.5	30	7

Focal® is a trademark of Focal-JMLab®