

# Audiom 6 WM

6-1/2" W® cone midrange



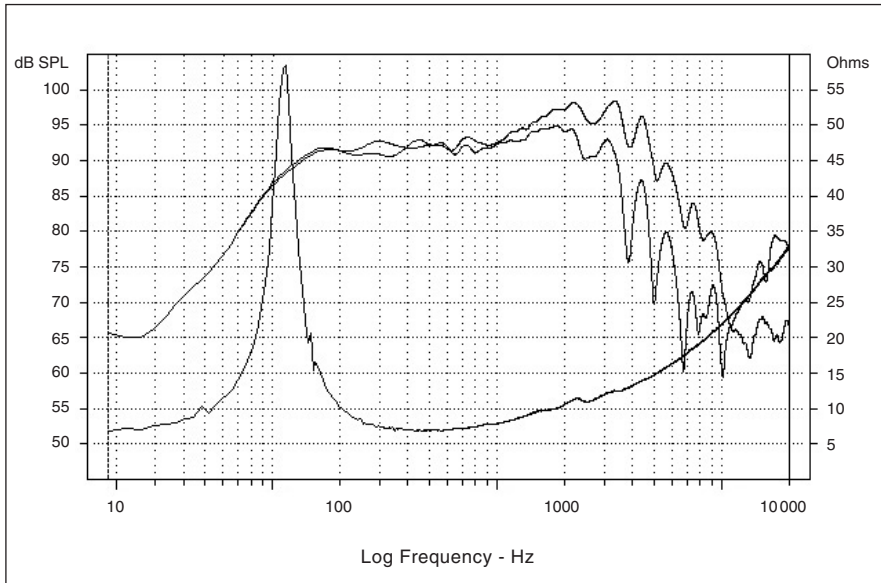
- Thick zamak alloy metal cast frame
- Straight profile "W"® cone, rubber surround
- Edgewound flat copper wire 40mm voice coil, black Kapton® former
- Efficiency: 94.5dB
- Very high resolution midrange, superb transient response and very high efficiency



## Specifications

Nominal power	100 W	
Maximum power	200W	
Sensitivity	93.84 dB	
Cone	"W"®	
Surround	coated fabric	
Nom. impedance	6 ohms	
DC resistance	5.9 ohms	
VC diameter	40 mm	6.2 in
VC height	10.2 mm	0.4 in
Former	Kapton®	
Layers	1	
Wire	aluminium	
Inductance	0.37 mH	
Xmax	2.1 mm	0.08 in
Magnet d x h	100 x 18 mm	3.93 x 0.70 in
Magnet weight	564 g	1.24 lb
Flux density	1.3 T	
Gap height	6 mm	0.24 in
Net weight	1.9 kg	4.19 lb

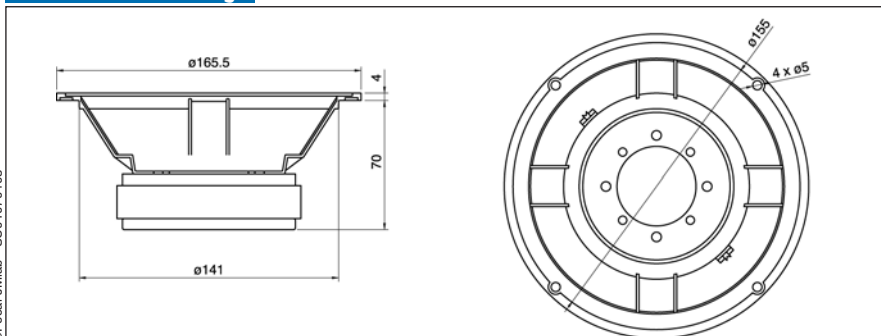
## Frequency Response / Impedance



## Parameters

Fs	116.9Hz	
Vas	6.1 l	372.2 in3
Qts	0.49	
Qes	0.54	
Qms	4.84	
Re	5.9 ohms	
Sd	128.7 Cm²	19.9 in2
Cas	436E-10 m5/N	
Mas	42.5 kg/m4	
Ras	6444.1 ohms.ac	
Cms	0264E-6 m/N	
Mms	7.03 g	0.015 lb
Rms	1.07 g/s	
Ces	124.6 mF	
Les	14.9 mH	
Res	52.9 ohms	
BI	7.51 N/A	
SPL	94.4 dB/W/m	

## Mechanical Drawing



## Suggested application

Load	V (l)	Fb (Hz)	F-3 (Hz)	Ql

Focal® is a trademark of Focal-JMLab®