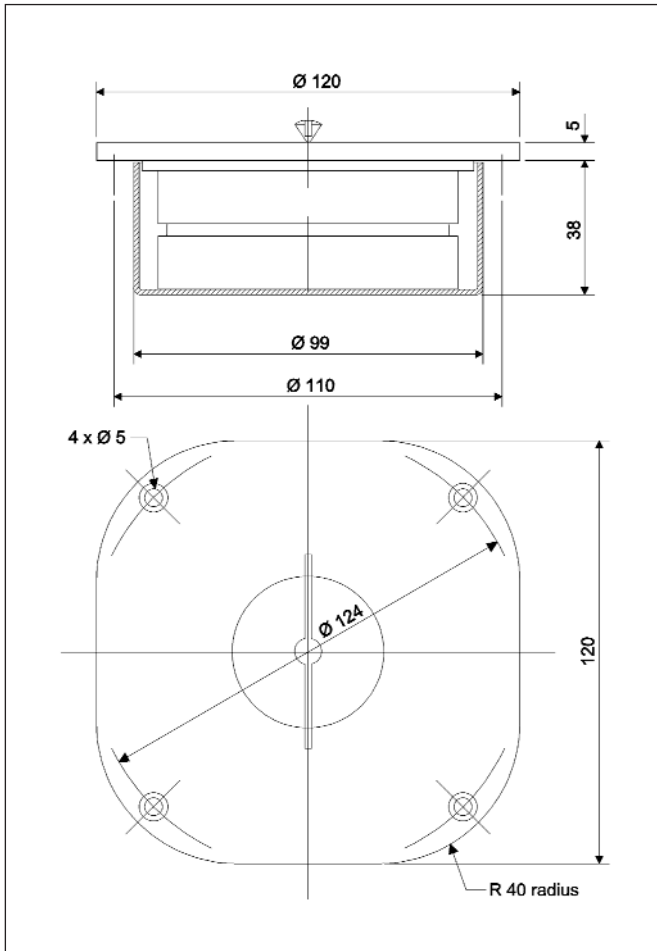


## AUDIOPHILE SERIES

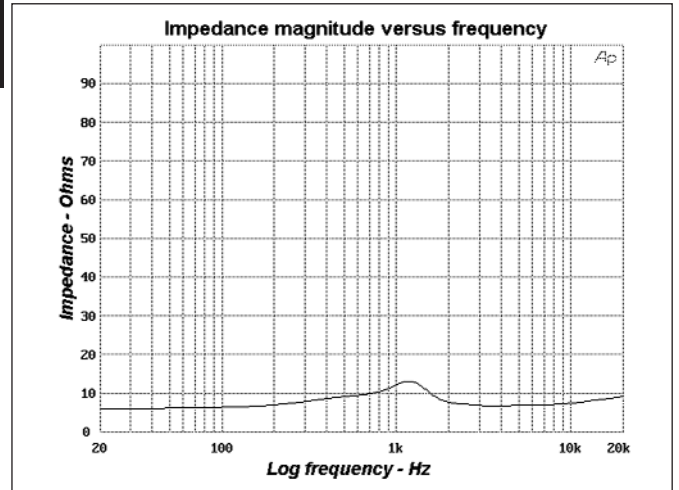
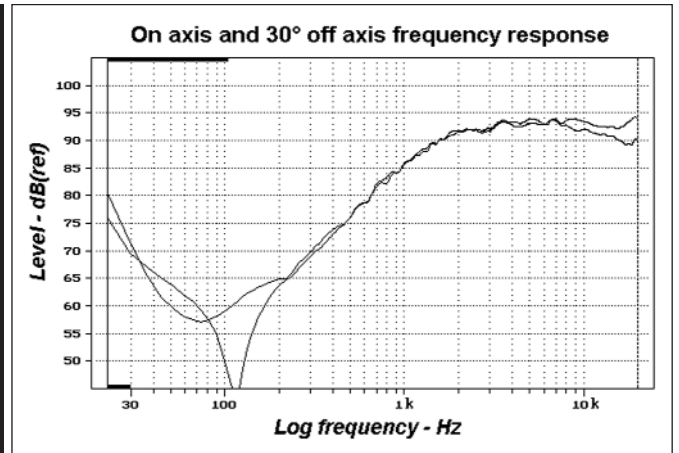
- 5 mm thick zamak alloy metal front plate
- Super high Young modulus Dioxide coating on titanium dome, coated surround
- 20 mm diameter voice coil, aluminium former, ferrofluid cooled
- Efficiency : 93.5 dB
- Double magnet, tuned chamber, acoustical impedance control device (a.k.a : phase plug)



### DRAWING



### MEASUREMENTS



### SPECIFICATIONS

Nominal power handling	15	W
Program power handling	150	W
Sensitivity	93.5	dB (2.8V/1m)
Cone	Tioxid	
Surround	Coated Foam	
Nominal impedance	8	Ω
DC resistance	6	Ω
VC diameter	20	mm
VC height	2.2	mm
Former	Aluminium	
Layers	2	
Wire	Copper	
Inductance	0.08	mH
Xmax		mm
Magnet diameter x height	85 x 15	mm x mm
Magnet weight	361	g
Flux density	1.75	T
Gap height	3	mm
Net weight	1.2	kg

### PARAMETERS

Fs	1180.8	Hz
Vas		l
Qts	0.86	
Qes	1.42	
Qms	2.16	
Re	5.7	Ω
Sd		cm²
Cas		m²/N
Mas		kg/m⁴
Ras		Ω.ac
Cms		m/N
Mms		g
Rms		g/s
Ces		μF
Les		mH
Res	8.6	Ω
Bl		N/A
SPL		dB/W/m

### SIMULATION

Ql:		Ω
Rg:		
Qts (+Rg):		
Vb:		l
Fb:		Hz
F-3:		Hz