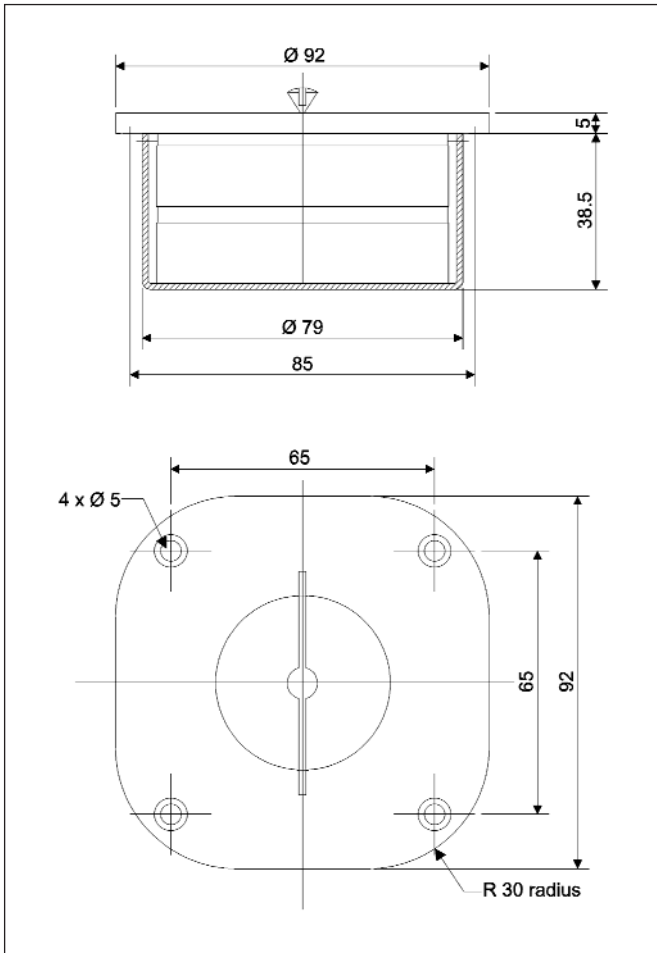


## AUDIOPHILE SERIES

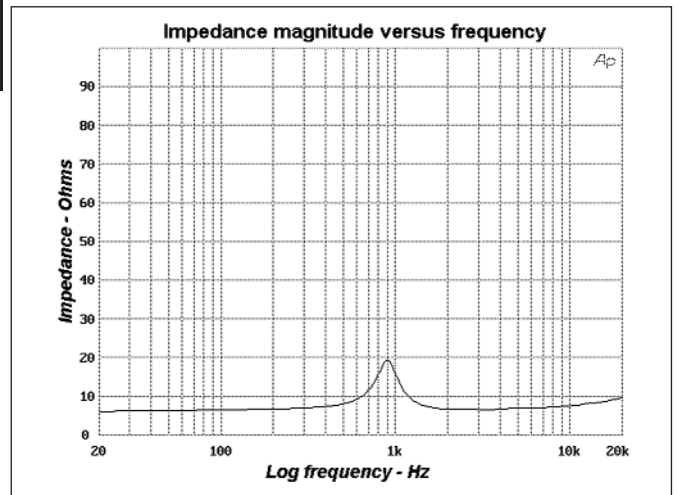
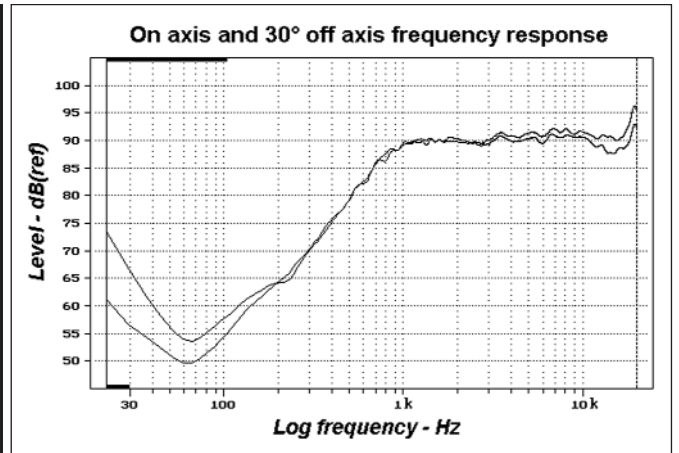
- High pressure injection molded 5 mm thick face plate
- Super high Young modulus Dioxide coating on titanium dome, coated surround
- 20 mm diameter voice coil with aluminium former
- Efficiency : 91.5 dB
- Acoustical impedance control device (a.k.a : phase plug)



### DRAWING



### MEASUREMENTS



### SPECIFICATIONS

Nominal power handling	12	W
Program power handling	75	W
Sensitivity	91.5	dB (2.8V/1m)
Cone	Tioxid	
Surround	Coated Foam	
Nominal impedance	8	$\Omega$
DC resistance	6	$\Omega$
VC diameter	20	mm
VC height	2.2	mm
Former	Aluminium	
Layers	2	
Wire	Copper	
Inductance	0.08	mH
Xmax		mm
Magnet diameter x height	72 x 15	mm x mm
Magnet weight	233	g
Flux density	1.45	T
Gap height	3	mm
Net weight	0.9	kg

### PARAMETERS

Fs	847.5	Hz
Vas		l
Qts	0.91	
Qes	1.24	
Qms	3.48	
Re	5.9	$\Omega$
Sd		cm <sup>2</sup>
Cas		m <sup>2</sup> /N
Mas		kg/m <sup>4</sup>
Ras		$\Omega$ .ac
Cms		m/N
Mms		g
Rms		g/s
Ces		$\mu$ F
Les		mH
Res	16.6	$\Omega$
Bl		N/A
SPL		dB/W/m

### SIMULATION

Ql:		$\Omega$
Rg:		
Qts (+Rg):		
Vb:		l
Fb:		Hz
F-3:		Hz