

Fostex®

FULL RANGE SPEAKER UNIT

FE126E

Features

- 'ES cone' paper made of banana plant's fiber
- Newly designed center cap
- ø100mm large ferrite magnet
- Well tuned Qts value for back loaded horn enclosure

Specifications

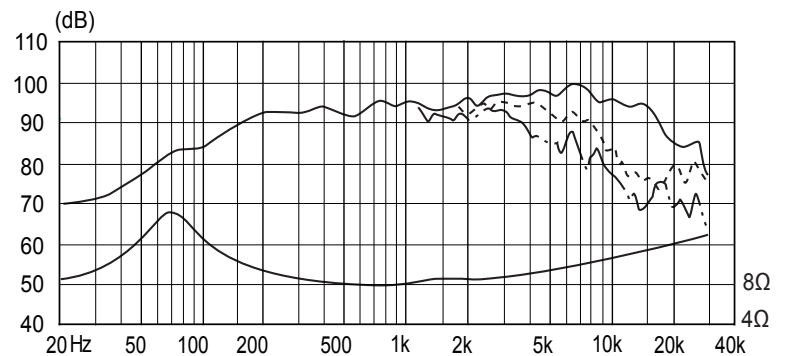
&

Thiele/Small Parameters

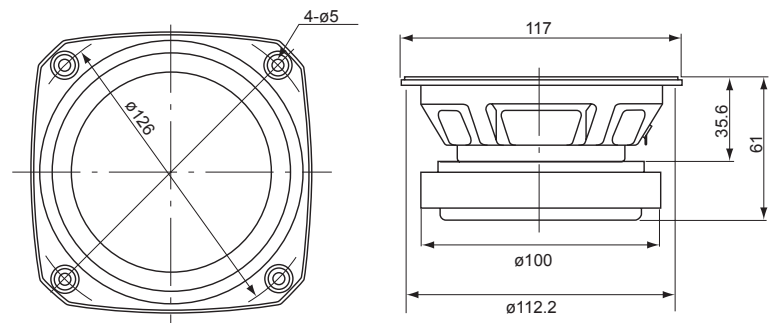
Size	:	120 mm / 5 in
Voice Coil Diameter	:	20 mm / 1 in
Cast / Stamped	:	Stamped
Impedance	:	8 Ω
Reproduction Frequency Response	:	fs - 25 kHz
Sound Pressure Level	:	93 dB/W(m)
Rated Input	:	15 W
Music Power	:	45 W
Magnet Material	:	Ferrite
Magnet Weight	:	
(main)	:	440 g / 0.970 lb
(cancel)	:	n/a g / n/a lb
Net Weight	:	1,010 g / 2.227 lb



Frequency Response / Impedance



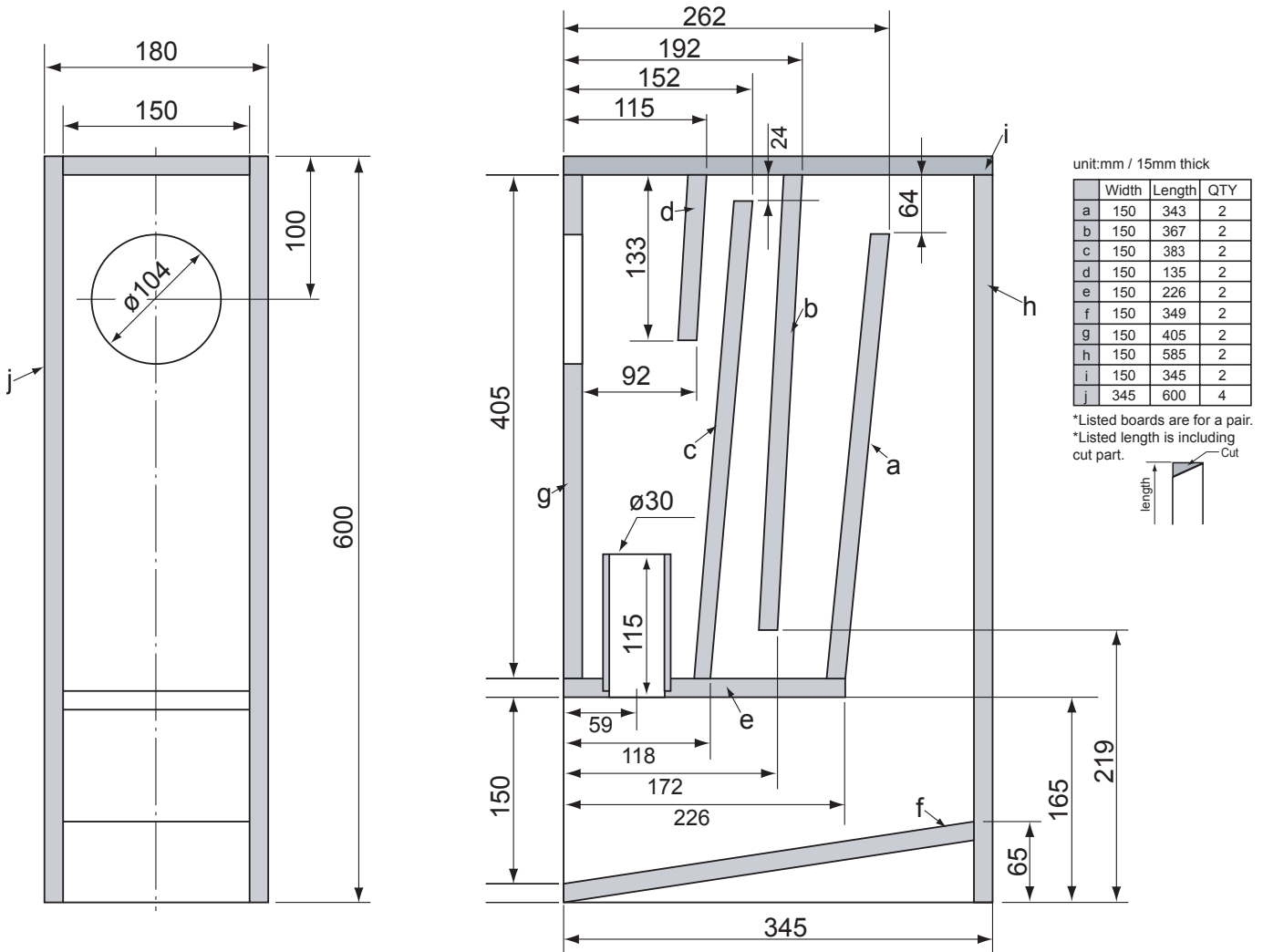
Dimensions & Mounting Information



a	:	46 mm
Sd	:	0.0065 m ²
Zn	:	8 Ω
Fs	:	70 Hz
Re	:	6.9 Ω
Le	:	0.0034 mH
Qms	:	2.96
Qes	:	0.27
Qts	:	0.25
Mms	:	2.9 g
BL	:	5.92 Telsa/m
Vas	:	9.95 L
Xmax	:	0.35 mm
Eff/η0	:	1.374 %
Cms	:	0.0017 mm/N
EBP	:	259.26

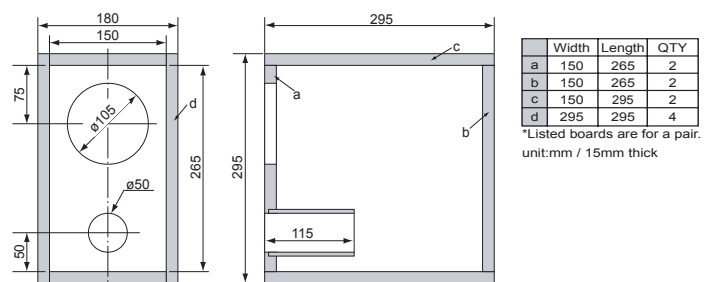
Overall Diameter	:	142 mm / 6 in
Baffle Hole Diameter	:	104 mm / 4 in
Depth	:	61 mm / 2 in

Unique Back Loaded Horn + Bass Reflex Hybrid Enclosure



- Shown is an example of a FE126E back loaded horn + bass reflex hybrid enclosure.
- Horn frequency is tuned at 100Hz and bass reflex 'Fb' at 55Hz.
- Employing the bass reflex port in the back cavity, this setting realizes the extended low frequency while the dip with the characteristic of back loaded horn is reduced.

Recommended Standard Bass Reflex Type Enclosure



Example of FE126E standard bass reflex type enclosure. Internal volume is 10.5 liters tuned to approximately 61Hz (Fb).

Fostex

Distributor / Authorized Dealer

www.fostex.co.jp

Fostex Co., 3-2-35 Musashino, Akishima, Tokyo, Japan 196-0021
Tel: +81 (0)42-546-4974 Fax: +81 (0)42-546-9222

In accordance with our policy of continuous development, we reserve the right to change specifications without notice.

Printed in China 0529016700 (400462)