

# Fostex®

## LOW LEAKAGE FLUX TYPE FULL RANGE SPEAKER UNIT

# FE207E

### Features

- 'ES cone' paper made of banana plant's fiber
- Ferrite magnet
- Repulsion type magnetically shielded circuit
- Newly designed center cap

### Specifications

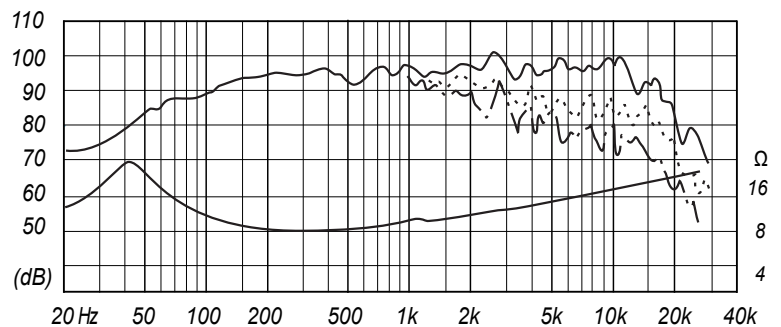
&

### Thiele/Small Parameters

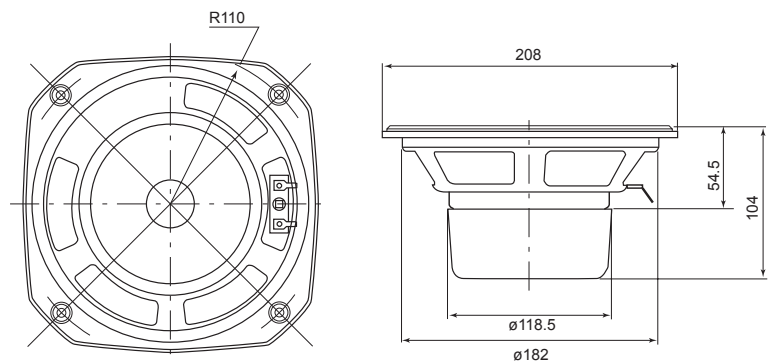
Size	:	200 mm / 8 in
Voice Coil Diameter	:	35 mm / 1.4 in
Cast / Stamped	:	Stamped
Impedance	:	8 Ω
Reproduction Frequency Response	:	f0 - 20 kHz
Sound Pressure Level	:	95 dB/W(m)
Rated Input	:	30 W
Music Power	:	90 W
Magnet Material	:	Ferrite
Magnet Weight	:	
(main)	:	337.0 g / 0.743 lb
(cancel)	:	329.9 g / 0.727 lb
Net Weight	:	2,650 g / 5.842 lb



### Frequency Response / Impedance



### Dimensions & Mounting Information



a	:	81 mm
D	:	162 mm
Sd	:	0.02061 m <sup>2</sup>
Zn	:	8 Ω
Fs	:	39 Hz
Re	:	6.73 Ω
Le	:	n/amH
Qms	:	3.86
Qes	:	0.28
Qts	:	0.26
Mms	:	15.02 g
BL	:	9.41 Telsa/m
Vas	:	56.25 L
Xmax	:	1.5 mm
Eff/η0	:	1.17 %
Cms	:	0.00094 mm/N
EBP	:	139

Overall Diameter	:	208 mm / 8 in
Baffle Hole Diameter	:	118.5 mm / 4.67 in
Depth	:	104 mm / 4 in