

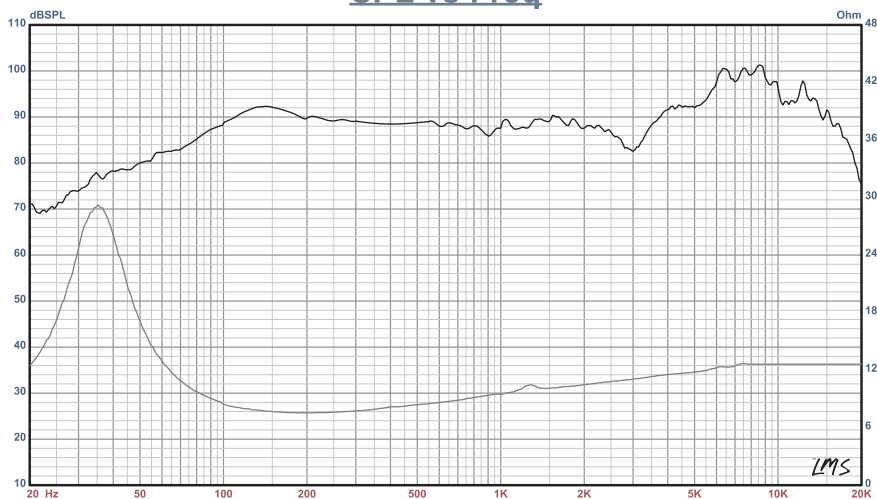


FW200 midwoofer

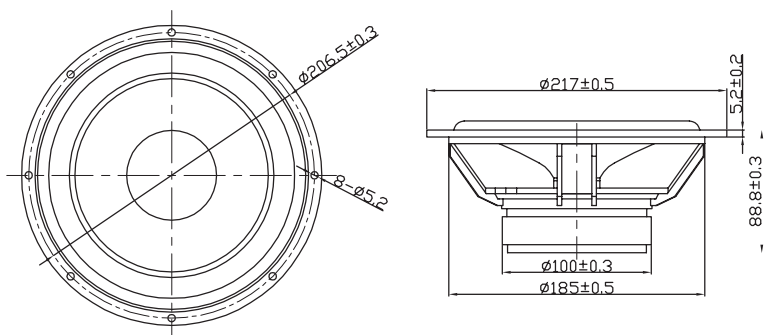
FEATURE

- 8" midwoofer driver
- hard aluminium cone
- inverse dust cap
- 36mm voice coil
- die cast frame
- low distortion

SPL vs Freq



frequency response vs impedance



Mechanical drawing

Specification	
overall dimension	D217X88.8mm
Net. Weight	1.9kg
nominal power handling	75Wrms
nominal impedance	8ohm
sensitivity	88dB/w/m
frequency response	35-3,000Hz
resonant frequency	35.7Hz
Voice Coil	
voice coil diameter	36mm
voice coil height	14.5mm
voice coil former	black aluminum
voice coil wire	copper round
number of layers	2
DC resistance	6.8ohm
Magnet System	
magnet system type	ferrite
magnetic gap height	5.8mm
B flux density	1.0T
BL product	6.83Tm
max linear excursion	4.35mm +/-
T/S Parameter	
Cms	0.948mm/N
Sd	213.8CM ²
Vas	61.6litre
Mmd	19.129g
Mms	20.927g
Qms	2.258
Qes	0.683
Qts	0.525