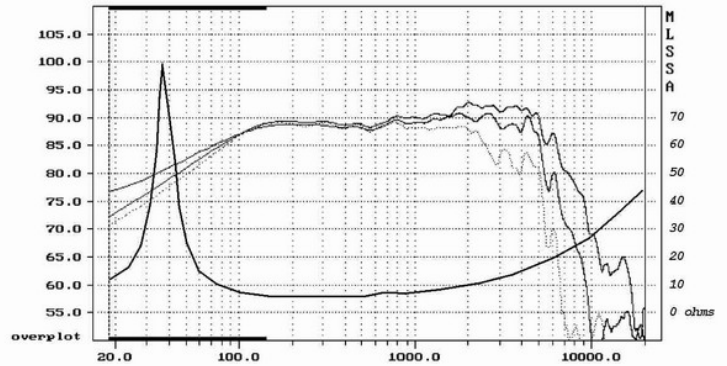
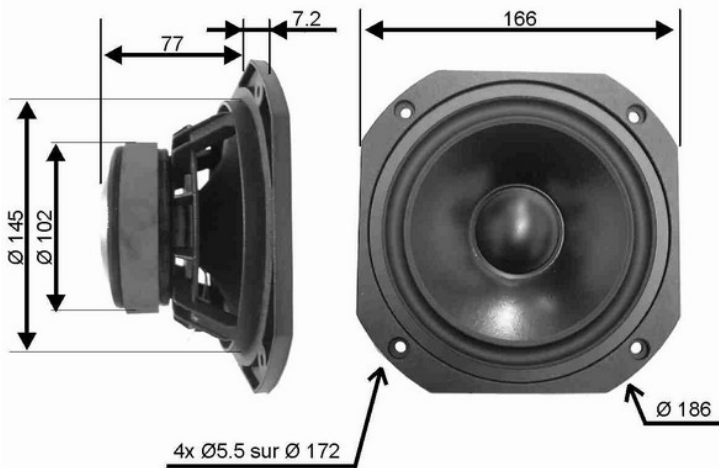




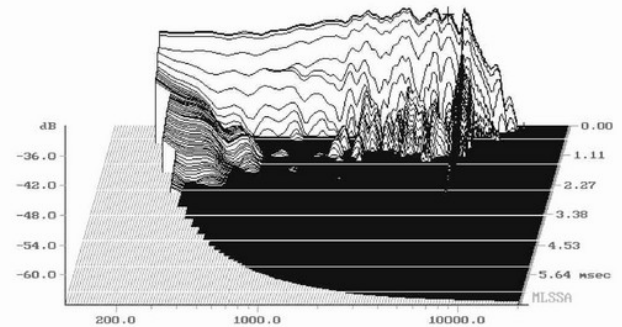
6" Bass coated paper cone 8 ohms

HM170G8

Non resonant die cast chassis
 High loss rubber surround
 High temperature voice coil



Nominal impedance 8 ohms	Voice coil diam. 30 mm
Resonance 41.47 Hz	Voice coil length 12.5 mm
Power handling (IEC) 60 W	Former kapton
Sensitivity (2.83V/1m) 89.3 dB	Layer(s) 1
	Wire type flat
Resistance (DC) 5.73 ohms	Force factor 7.04 NA
Inductance 0.78 mH	Moving mass 12.48 gr
Xmax ± 3.25 mm	
Qms 5.00	Cone material coated paper
Qes 0.38	Suspension rubber
Qts 0.35	Chassis die cast
Vas 29.19 l	Total mass 2.10 kg



Audax Industries - Château du Loir (72) - France
 Pho +33 2 43 38 42 00 - Fax + 33 2 43 44 12 02
 European web site : <http://www.audax.fr>