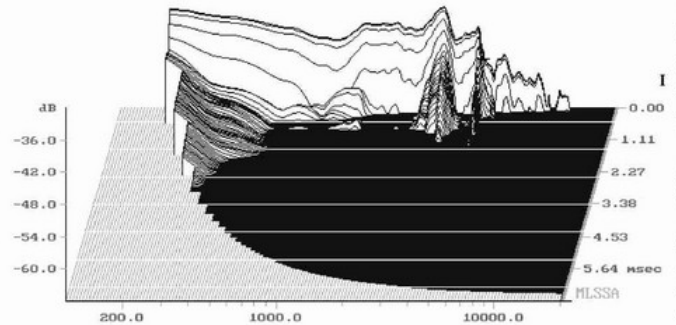
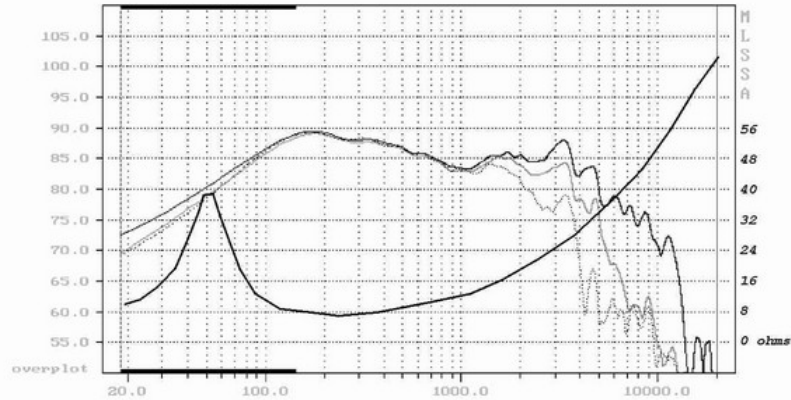
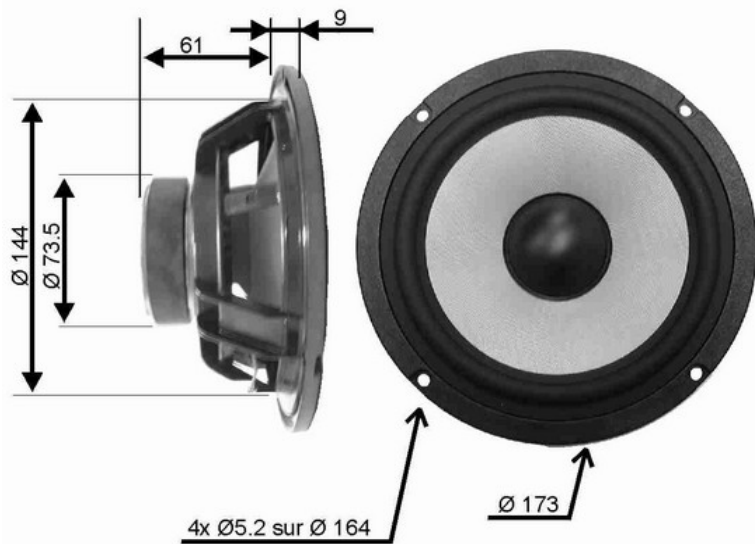


Non resonant high impact polymere chassis  
High loss rubber surround  
High temperature voice coil



Nominal impedance . . . 6 ohms	Voice coil diam. . . . . 25 mm
Resonance . . . . . 51.81 Hz	Voice coil length . . . . . 11 mm
Power handling (IEC) . . . . 45 W	Former . . . . . aluminium
Sensitivity (2.83V/1m) . . . . 89.1 dB	Layer(s) . . . . . 4
	Wire type . . . . . round
Resistance (DC) . . . . . 5.50 ohms	Force factor . . . . . 7.43 NA
Inductance . . . . . 1.2 mH	Moving mass . . . . . 13.66 gr
Xmax. . . . . ± 3.5 mm	
Qms . . . . . 3.00	Cone material . . . . . glass fiber
Qes . . . . . 0.44	Suspension . . . . . rubber
Qts . . . . . 0.39	Chassis . . . . . polymer
Vas . . . . . 17.09 l	Total mass . . . . . 0.7 kg