

## Jantzen Audio Drivers

### JA-6006 6" Midbass Driver



#### DESCRIPTION

The JA-6006 is a powerful 6" midbass driver fitted with a polypropylene cone and a massive 75 mm voice coil ensuring high power handling.

A thoroughly vented spider chassis provides free air ventilation and absence of compression.

The driver may be used in 2-way monitors of modest size or as a 2-way floorstander in a 16-22 litres enclosure.



## SPECIFICATIONS

### Basic parameters:

Average of two units. Added volume (18 litres) method used for generating data.

**Fs:** 50 Hz

**Re:** 5.04

**Qms:** 2.31

**Qe:** 0.73

**Qt :** 0.53

**Cms:** 0.55

**Mms:** 15.0 grams

**BL:** 5.72

**Vas:** 13.3 litre

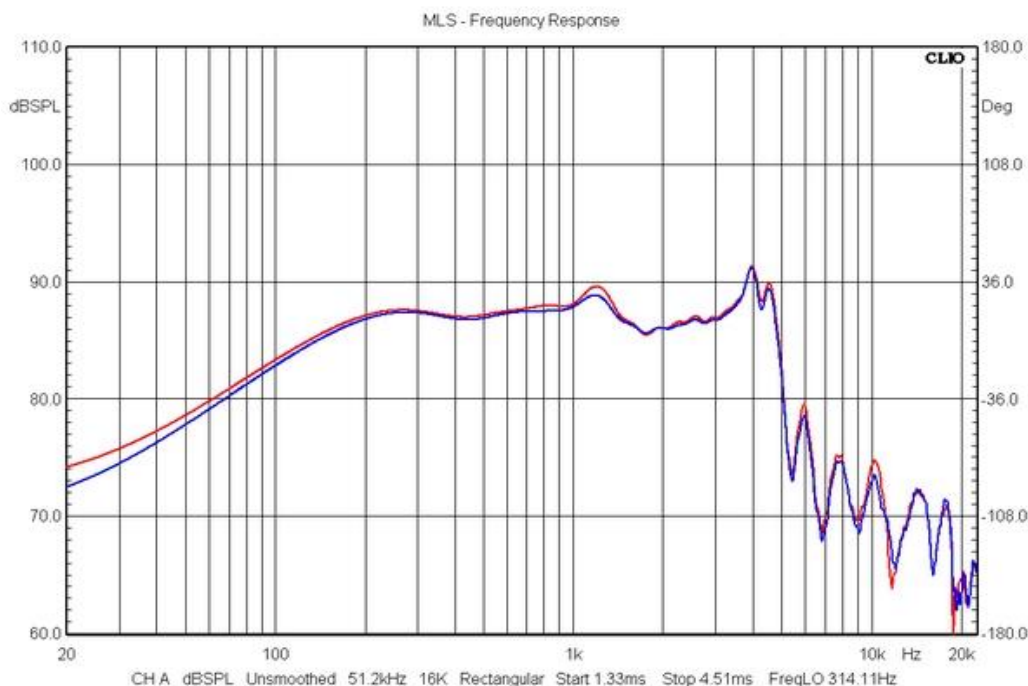
**dB SPL:** 85.6 (1W/1m)

**SD:** 119 cm<sup>2</sup>

**Power handling:** 100 W RMS/150 W max.

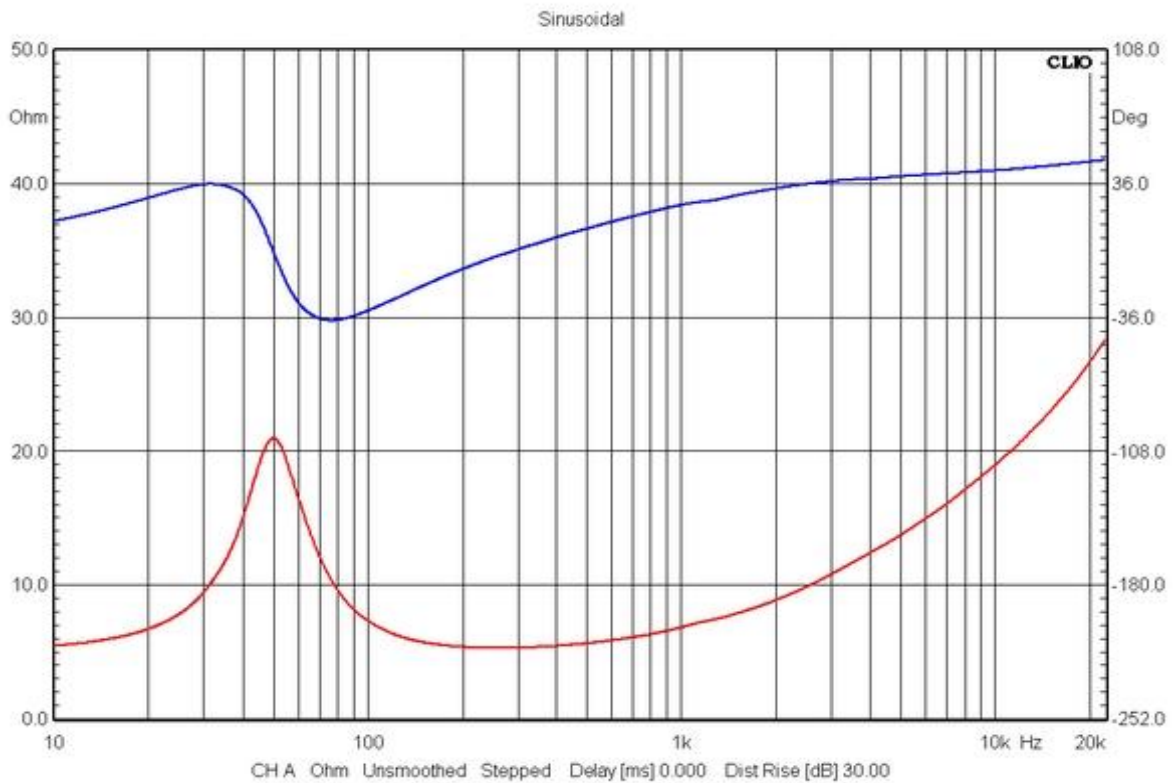
**Voice coil diameter:** 3", 75 mm

**Nominal impedance:** 6 ohms.



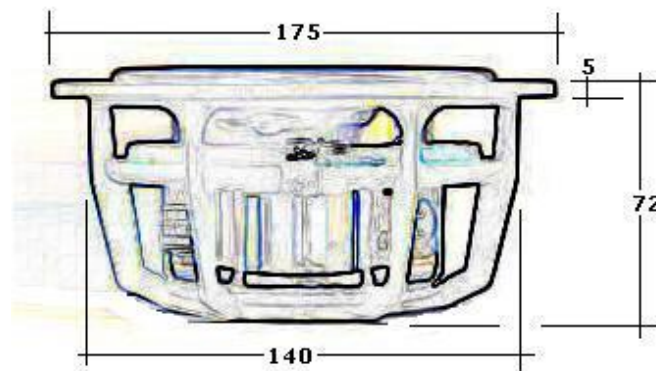
Frequency response from mounting the driver in a floorstander cabinet with front panel dimensions of 190 x 1000 mm. Response from two drivers shown.

## SPECIFICATIONS

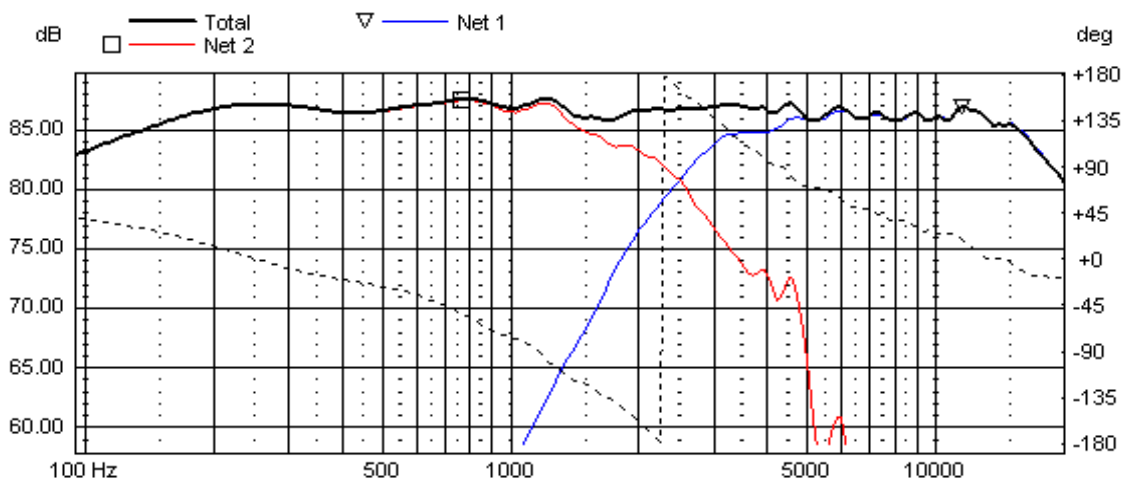


Impedance of driver in free air.

Driver dimensions (mm):



## SPECIFICATIONS



The smooth roll-off characteristic provides easy filtering at points of crossover around 2-3 kHz.

Example of two-way set-up with JA-2806 tweeter in 22 litre floorstander.

2nd order low-pass filter, 3rd order high-pass for tweeter.