



E.J. Jordan Designs

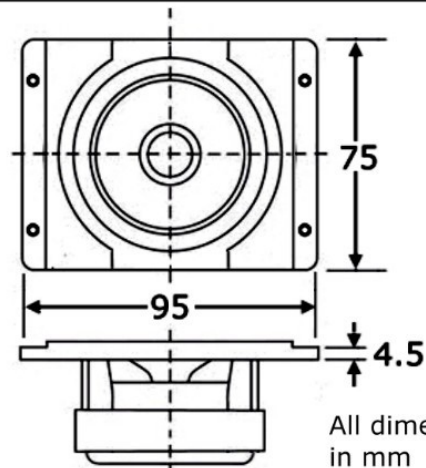
**2" TWEETER
JX-53**



- 53mm Controflex metal foil cone
- Fluid suspension and cooling
- Precision cast rectangular chassis



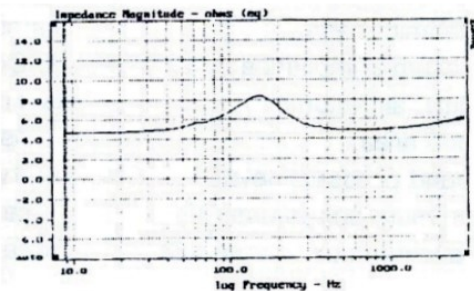
free air resonance	FO Hz	105
mechanical Q	Qm	1.43
electrical Q	Qe	1.15
total Q	Qt	0.64
mechanical resistance	Rm N*s/m	0.52
force factor	B*1 T*m	1.65
Nominal Impedance	ohms	6.0
DC resistance	Re ohms	4.2
dynamic mass	Md grams	1.13
system compliance	Cs m/N*E-0.4	20.34
equiv air volume	Vas ltr	1.73
cone area	Sd sq.cms	24.63
sound pressure level	SPL 1m 1w	87.26
min box volume (1B)	litres	0.60
power, continuous	watts	60
power, music, in system	watts	100
weight	kg	0.32



All dimensions
in mm

Mounting hole 61 x 61 square

Impedance Magnitude - ohms



Sensitivity Mag - dB SPL/watt

