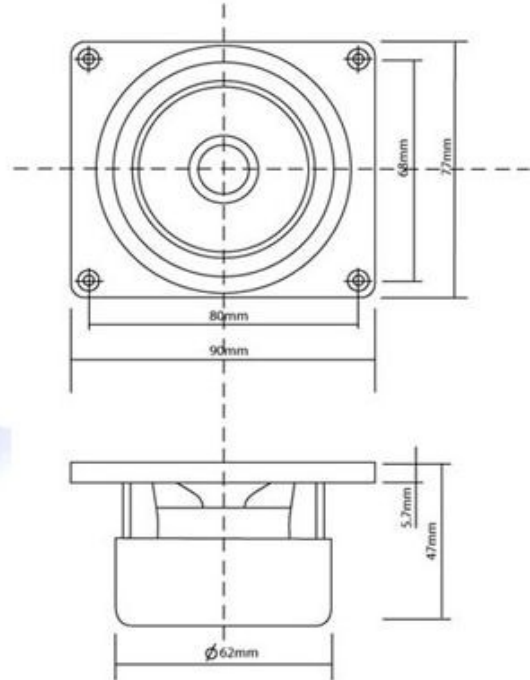




JXR6HD



JORDAN JXR6 HD technical specifications

free air resonance	FO Hz	80.818
mechanical Q	Qm	1.634
electrical Q	Qe	0.71
total Q	Qt	0.495
mechanical resistance	Rm N*s/m	0.3
force factor	B*1 t*m	2.142
DC resistance	Re ohms	4.498
series inductance	μ H	92.78
lossy series inductance	(Lp) μ H	44.1
Ω loss across Lp	ohms	1.388
dynamic mass	Md grams	1.427
system compliance	Cs m/N*E-0.4	2.717
equiv air volume	Vas litre	3.051
Xmax p-p	mm	6.00
effective diameter	mm	60
cone area	Sd sq. cms	24.6
max efficiency	m%	218.0
sound pressure level	SPL 1m 1w	85.38
Xmax p-p	mm	6.00

EI JORDAN DESIGNS, L.L.C.
FREQUENCY RESPONSE FOR JXR6HD

