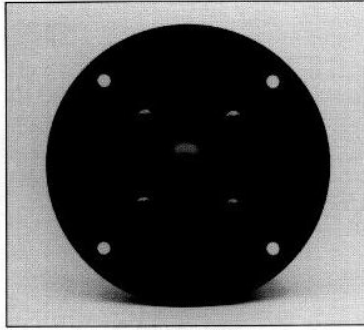
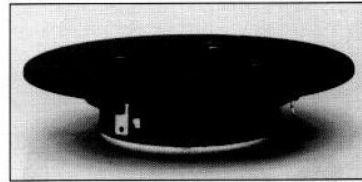
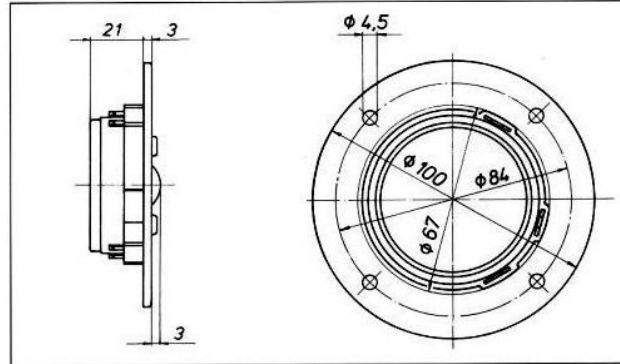


3/4" dome tweeter

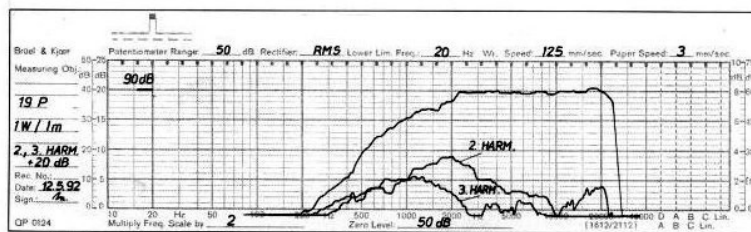


- 19 mm polyamide soft dome tweeter with smooth and extended frequency response and wide angle dispersion
- polyamide soft dome
 - glassfibre reinforced black plastic chassis
 - magnetic fluid

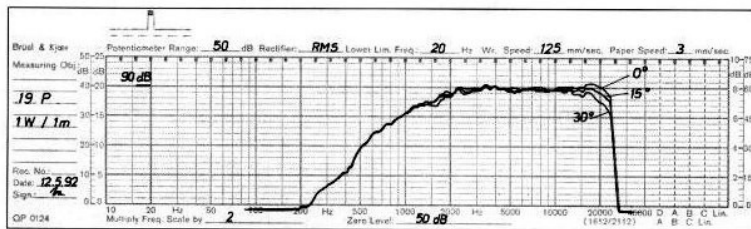


Nominal Impedance	Z_n	8	Ω
DC Resistance	R_{dc}	6,0	Ω
Resonant Frequency	f_r	2000	Hz
Rated Power		80	W
Sound Pressure 1W/1m		89	dB SPL
Total Moving Mass	M_{MS}	0,18	g
Effective Piston Area	S_D	3,9	cm ²
Voice Coil Diameter		19	mm
Voice Coil Former		Aluminium	
Voice Coil Length		1,5	mm
Voice Coil Layers		2	
Flux Density	B	1,38	Tesla
Force Factor	B_l	2,3	Tm
Gap Height		3	mm
Magnet Diameter		55	mm
Magnet Height		12	mm
Magnet Weight		0,12	kg
Mass of Speaker		0,3	kg

19 P



Frequency Response/Distortion



Frequency Response