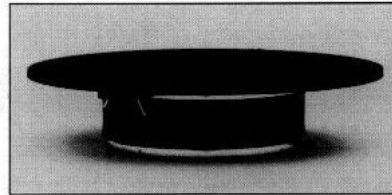
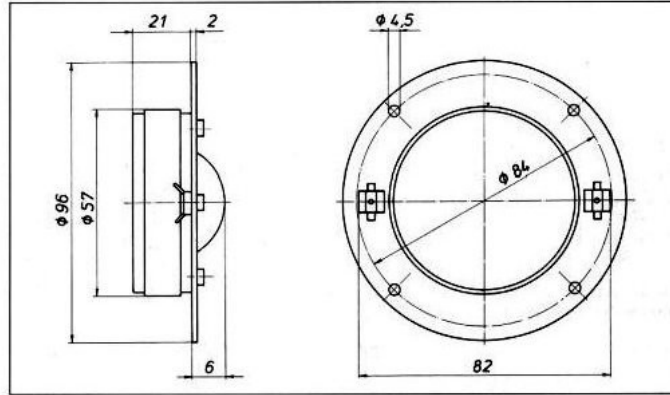


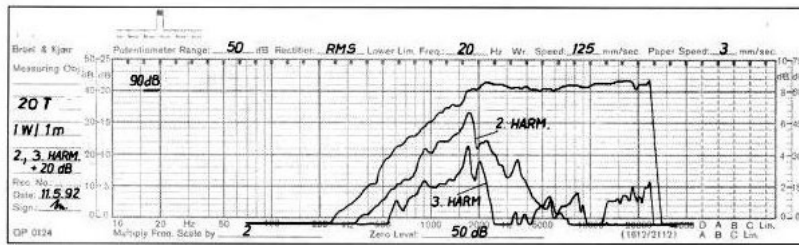
3/4" dome tweeter

19 mm titanium dome tweeter with high efficiency and excellent sound quality

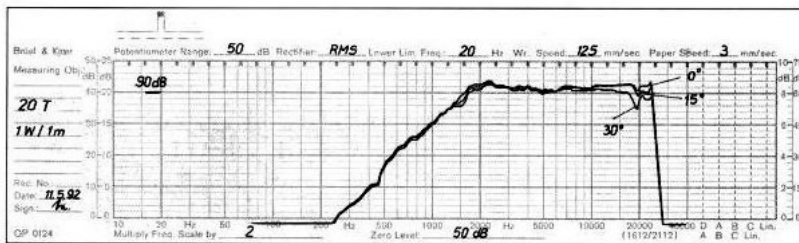
- titanium dome
- black aluminum front plate
- diffusor with improved acoustic design



Nominal Impedance	Z <sub>n</sub>	8	Ω
DC Resistance	R <sub>dc</sub>	6,0	Ω
Resonant Frequency	f <sub>r</sub>	1700	Hz
Rated Power		80	W
Sound Pressure 1W/1m		90	dB SPL
Total Moving Mass	M <sub>MS</sub>	0,19	g
Effective Piston Area	S <sub>D</sub>	4,9	cm <sup>2</sup>
Voice Coil Diameter		19	mm
Voice Coil Former		Aluminium	
Voice Coil Length		1,5	mm
Voice Coil Layers		2	
Flux Density	B	1,4	Tesla
Force Factor	B <sub>L</sub>	2,3	Tm
Gap Height		2,5	mm
Magnet Diameter		55	mm
Magnet Height		12	mm
Magnet Weight		0,12	kg
Mass of Speaker		0,3	kg



Frequency Response/Distortion



Frequency Response