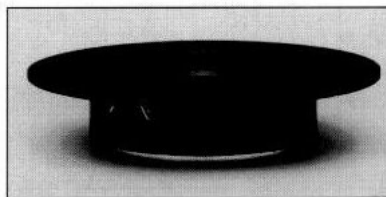
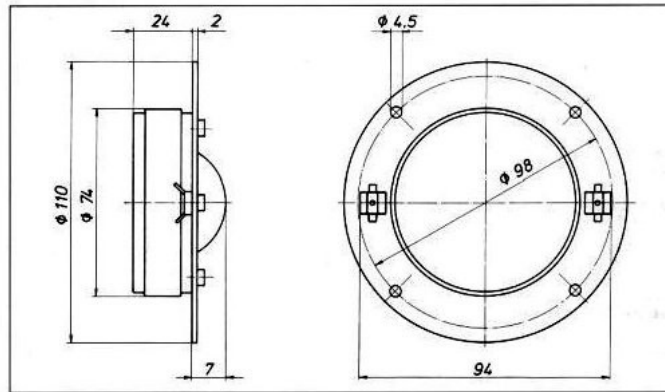


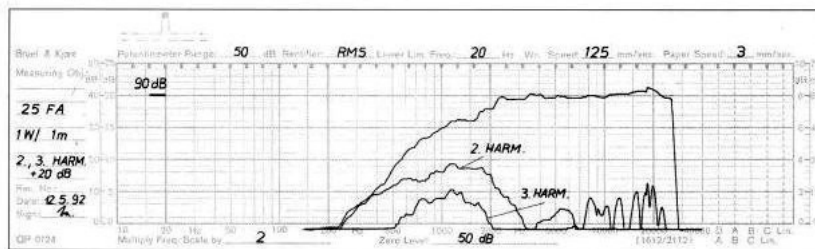
1" dome tweeter

25 mm soft dome tweeter with extraordinarily wide frequency response and excellent sound quality

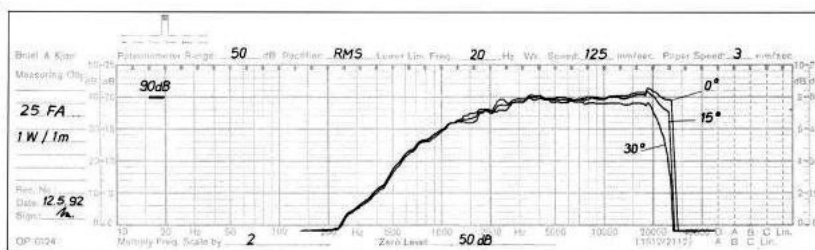
- precoated textile dome
- black aluminum front plate
- magnetic fluid



Nominal Impedance	Z_n	8	Ω
DC Resistance	R_{dc}	6,8	Ω
Resonant Frequency	f_r	1800	Hz
Rated Power		100	W
Sound Pressure 1W/1m		90	dB SPL
Total Moving Mass	M_{MS}	0,22	g
Effective Piston Area	S_D	6,5	cm ²
Voice Coil Diameter		25	mm
Voice Coil Former		Aluminium	
Voice Coil Length		1,5	mm
Voice Coil Layers		2	
Flux Density	B	1,6	Tesla
Force Factor	B_l	2,9	Tm
Gap Height		3	mm
Magnet Diameter		72	mm
Magnet Height		15	mm
Magnet Weight		0,25	kg
Mass of Speaker		0,50	kg



Frequency Response/Distortion



Frequency Response