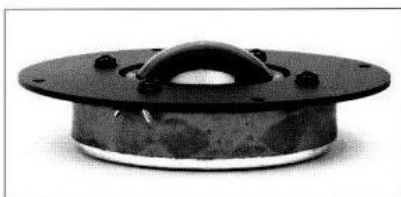
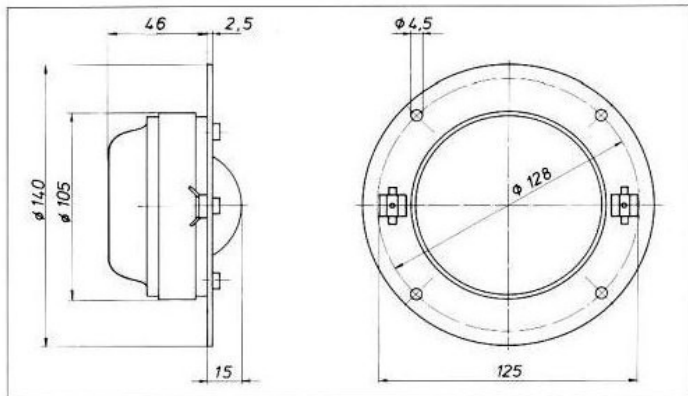


HiFi 50 FA

2" midrange dome

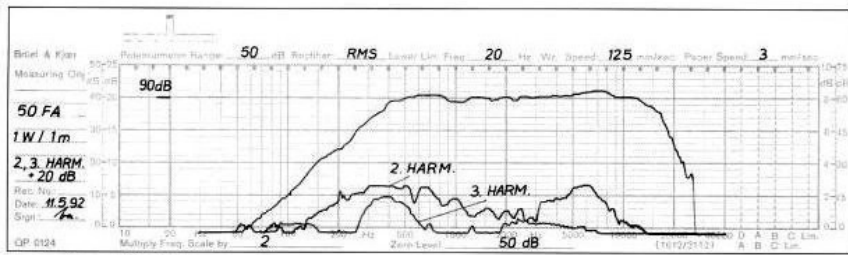
50 mm textile midrange dome with a very smooth response, low distortion and excellent sound quality

- textile dome, specially coated
- black aluminum front plate

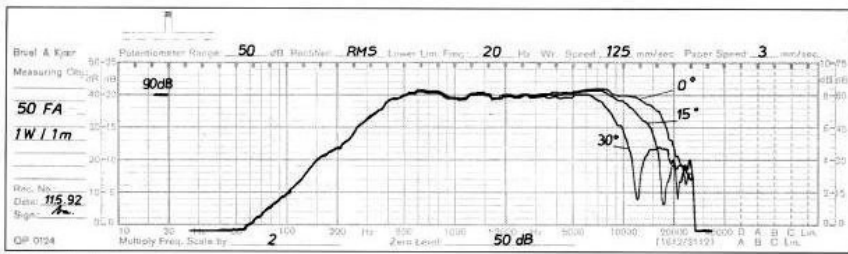


50 FA

Nominal Impedance	Z_n	8	Ω
DC Resistance	R_{dc}	5,7	Ω
Resonant Frequency	f_r	390	Hz
Rated Power		100	W
Sound Pressure 1W/1m		90	dB SPL
Total Moving Mass	M_{MS}	1,76	g
Effective Piston Area	S_D	26	cm ²
Voice Coil Diameter		50	mm
Voice Coil Former		Aluminium	
Voice Coil Length		4,3	mm
Voice Coil Layers		1	
Flux Density	B	1,3	Tesla
Force Factor	B_L	3,7	Tm
Gap Height		3	mm
Magnet Diameter		102	mm
Magnet Height		17	mm
Magnet Weight		0,47	kg
Mass of Speaker		1,2	kg



Frequency Response/Distortion



Frequency Response