

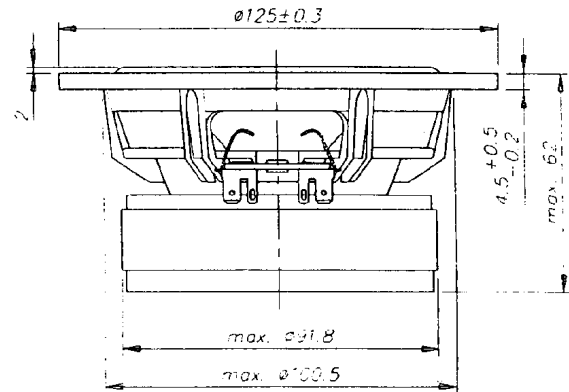
4 1/2" WOOFER

SPECIAL FEATURES:

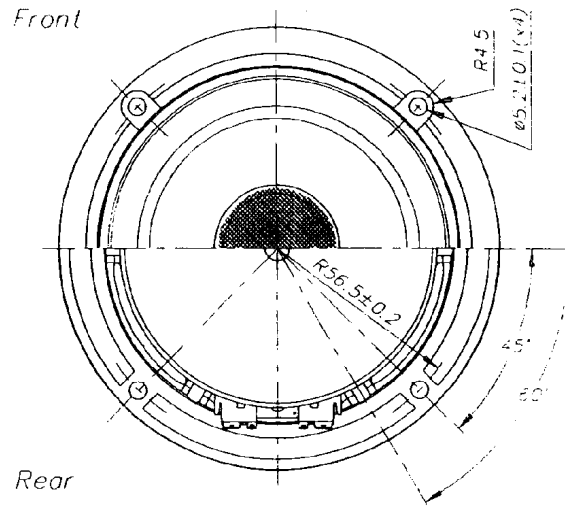
- LONG STROKE, LOW REFLEXION, MAGNESIUM BASKET
- BLACK COATED PAPER CONE
- LOW DAMPING RUBBER SURROUND
- VENTED THROUGH V.C. FORMER AND POLE PIECE
- NEUTRAL MIDRANGE REPRODUCTION

NOMINAL IMPEDANCE	8 Ω
VOICE COIL RESISTANCE	5.4 Ω
NOMINAL POWER (IEC 268-5)	30 W ¹⁾
SHORT TERM MAX. POWER (IEC 268-5)	140 W ²⁾
LONG TERM MAX. POWER (IEC 268-5)	70 W ³⁾
MUSIC POWER (DIN 45500)	60 W
OPERATING POWER	8 W
SENSITIVITY (1W, 1m) / (2.83V, 1m)	87/87 dB
FREQUENCY RANGE	70-5000 Hz
FREE AIR RESONANCE	68 Hz
VOICE COIL DIAMETER	25 mm
VOICE COIL HEIGHT	10 mm
AIR GAP HEIGHT	4 mm
VOICE COIL INDUCTANCE	0.6 mH
EFFECTIVE CONE AREA	57 cm ²
MOVING MASS (incl. air)	5.8 g
MAGNET WEIGHT (14.6 oz)	415 g
FORCE FACTOR, BxI	6.0 Txm
Vas	4.3 ltr
Qms	1.79
Qes	0.37
Qts	0.31

M11WH-09-08



Front



Rear

M11WH-09-08

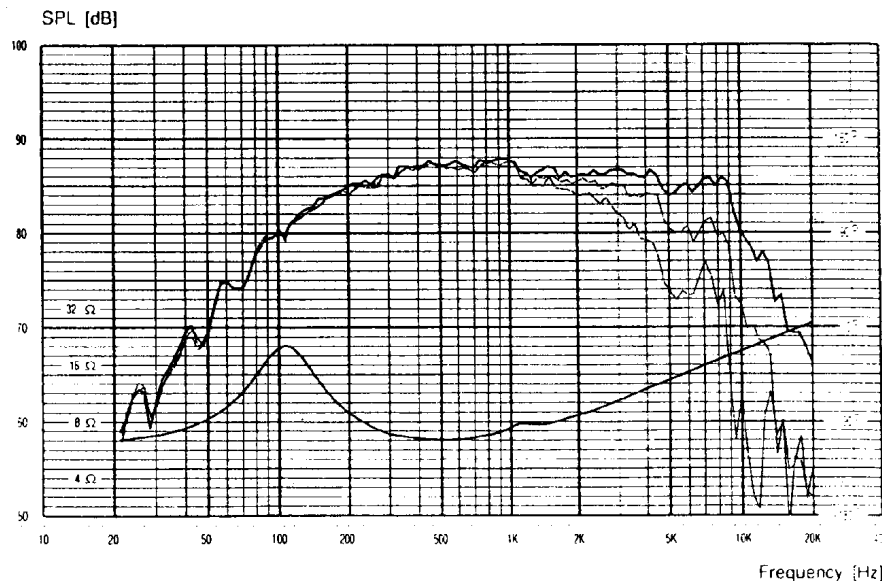
DISPERSION PLOT
0, 30 and 60 deg.

Input: 2.83V
Mic.: 1m

1,8 ltr. box mounted
in infinite baffle.

06.08.93 FKJ

Anechoic room 6x7x8 meters.
Half space free-field above 100 Hz.
Brüel & Kjær 2012 Audio Analyzer.



M11WH-09-08

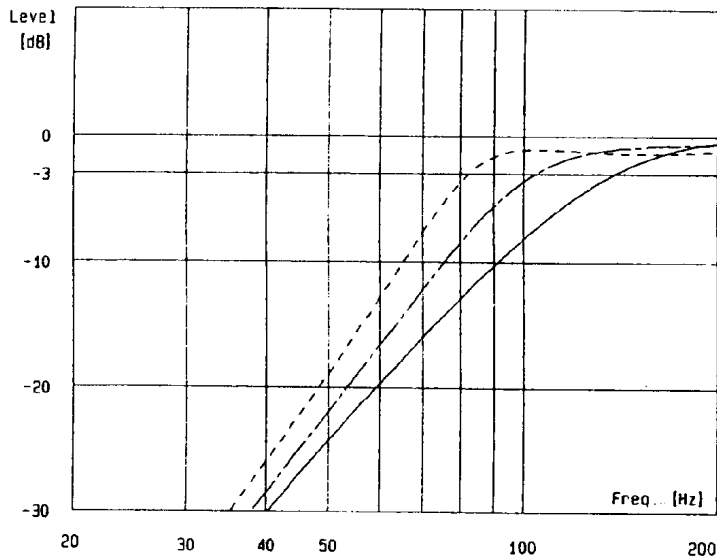
Applications

BASS REFLEX SYNTHESIS

Moderate Damping of Box
No Deliberate Damping of Port

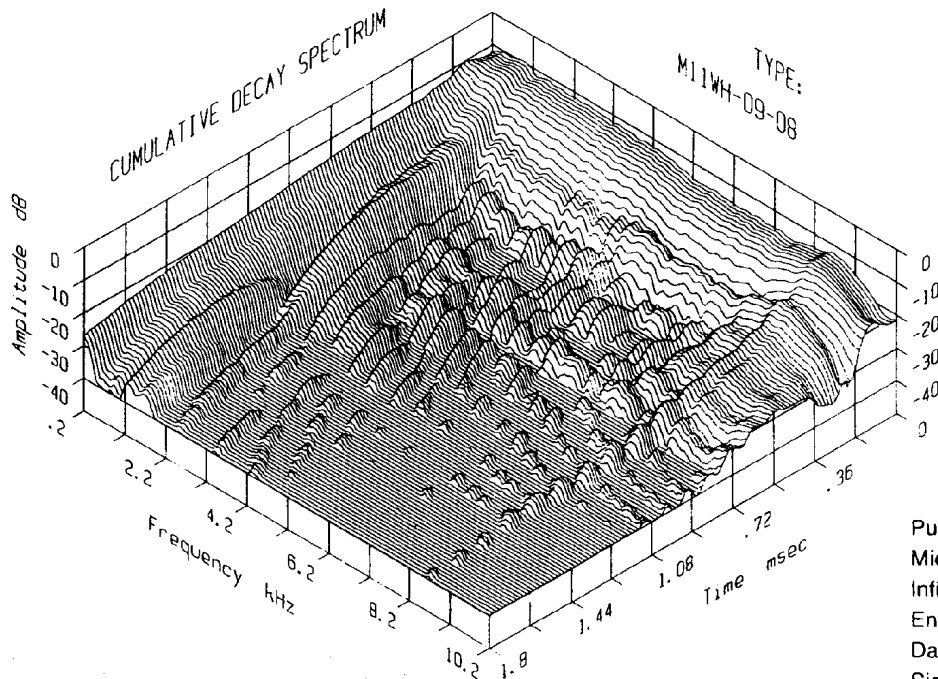
	Vb [Ltrs]	Fb [Hz]	Op [cm]	Lp [cm]
1 ———	1.0	100	2.5	13.3
2 - - - -	2.0	94	2.5	6.7
3 - - - -	4.0	84	2.5	3.5

Vb: Box volume
Fb: Tuning Frequency
Op: Port Diameter
Lp: Port Length



The M11WH-09-08 is designed as a small "general purpose" woofer. It may be used in a sealed enclosure, but the best result will be obtained in a 1-5 litre vented box. Another application is as midrange for low cross over frequencies.

Note 1-3) Power test conditions: Amb. temp. 21°C ± 3°C, 3 litre sealed enclosure. Note 1) 100 hours continuous. Note 2) Signal 1 sec., pause 1 min., repeated 60 times. Note 3) Signal 1 min., pause 2 min., repeated 10 times.



Pulse: 10 V/25 μS
Mic.: 0.15 m
Infinite baffle
Enclosure: 1.5 l
Date: 25.06.93
Sign.: FKJ

Stationsvej 5 • Postbox 39 • DK-6920 Videbæk • Tlf. 97 17 17 22 • Int. tel.: +45 97 17 17 22 • Telefax: +45 97 17 16 96
Postgiro 9 03 79 50 • Akts. reg.nr.: 209648 • Bank: A/S Ringkjøbing Bank, Videbæk afd. • SWIFT address RIBA DK 22, Telex 62442