

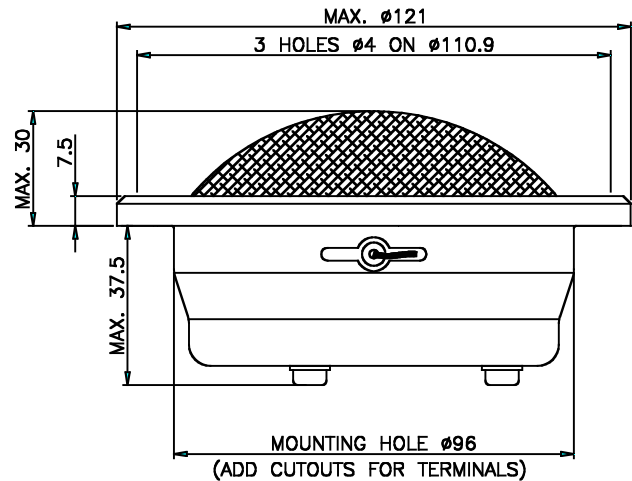
Midrange Esotec MD 142

The MD 142 is a compact 75 mm soft dome midrange designed for high performance 3- or 4-way systems.

The driver has a smooth frequency response, thus simplifying crossover design. The MD 142 is characterized by a midrange reproduction with a high degree of clarity and detail.

The driver has both integrated enclosure and grille. Furthermore it has a small outer diameter compared to the size of the dome and a shallow mounting depth making it ideal for mounting in a car.

- Coated textile dome
- Large 75 mm voice coil ensures high power handling and low compression
- Internal magnet structure with vented pole piece
- Aluminium voice coil wire results in a low moving mass
- Shallow mounting depth
- Integrated protective grille
- Ferrofluid adds damping and increases power handling



Thiele Small Parameters		
Nominal impedance	Znom	8 Ω
DC resistance	Re	5.3 Ω
Voice coil inductance	Le	mH
Resonance frequency	fs	475 Hz
Mechanical Q factor	Qms	-
Electrical Q factor	Qes	-
Total Q factor	Qts	-
Mechanical resistance	Rms	- kg/s
Moving mass (incl. air load)	Mms	- g
Suspension compliance	Cms	- mm/N
Effective dome diameter	d	- mm
Effective piston area	Sd	52 cm ²
Equivalent volume	Vas	- l
Force factor	Bl	- Tm
Recommended frequency range		700-6000 Hz

Magnet and Voice Coil Properties		
Voice coil diameter	dc	75 mm
Voice coil height	hc	5.5 mm
Voice coil layers	nc	2
Magnetic gap height	hg	3 mm
Linear excursion, peak to peak		2.5 mm
Max. excursion, peak to peak		5 mm
Magnet weight	wm	0.24 kg

Power Handling	
Nominal long term IEC*	100 W
Transient (10 ms)	1000 W

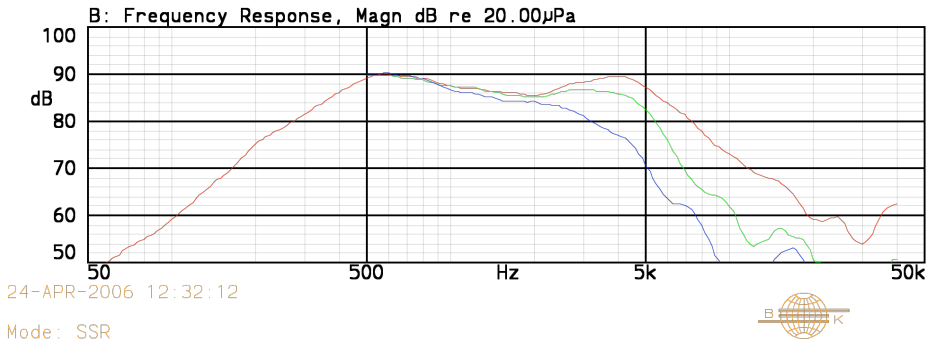
Mechanical Properties	
Net weight	0.75 kg
Overall dimension	ø121x66 mm

* Depending on crossover

All specifications subject to change without notice

Midrange Esotec MD 142

Frequency response • on-axis, 30° and 60° off-axis

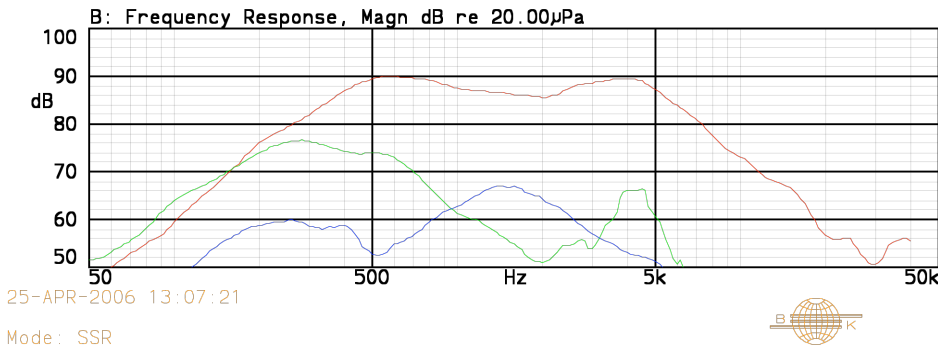


Red line: on-axis response
Green line: 30° horizontal
Blue line: 60° horizontal

Measurement conditions
Level: 2.83 V
Distance: 1 m.

Measured in a large baffle

Frequency response • 2nd and 3rd harmonic distortion



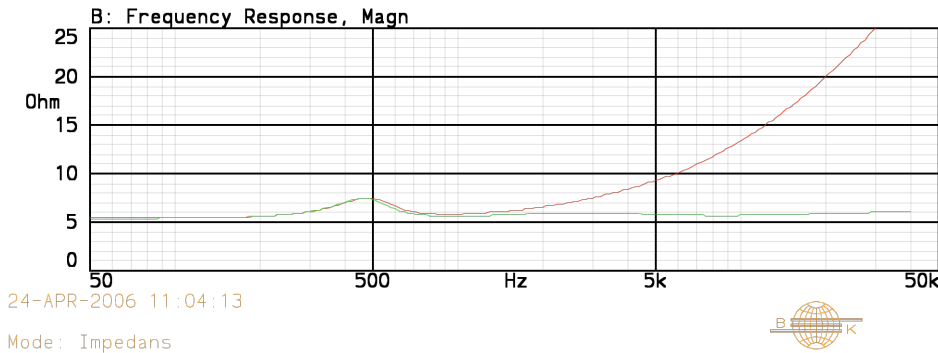
Red line: on-axis response
Green line: 2nd harmonic
Blue line: 3rd harmonic

2nd and 3rd harmonic raised 30 dB

Measurement conditions
Level: 2.83 V
Distance: 1 m

Measured in a large baffle

Impedance • with and without impedance correction circuit



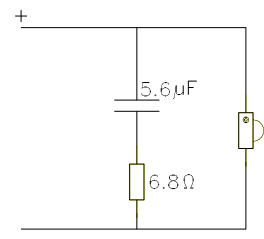
Thick line: impedance, free air
Thin line: impedance, free air with compensation. See drawing below.

Measurement conditions
Level: 3.16 V, 50 ohm
Driver in free air

The curves exhibit the MD 142 as a dedicated midrange driver with an excellent frequency response and an exemplary roll-off below 500 Hz and beyond 5 kHz. Further the fine dispersion and frequency response make the MD 142 an ideal choice for high quality 3-way installations. The impedance of the MD 142 is very linear, making it an easy load for the amplifier while also simplifying crossover design.

The driver can be mounted in a wide range of locations, e.g. in the dashboard, the doors or in the hat shelf.

Impedance correction circuit



Dynaudio A/S, 8660 Skanderborg, Denmark

Sales & Marketing

Dynaudio International GmbH, Ohepark 2, 21224 Rosengarten, Germany, Phone +49 4108 - 4180 - 0