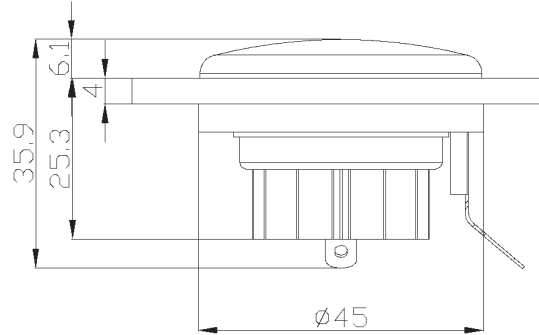
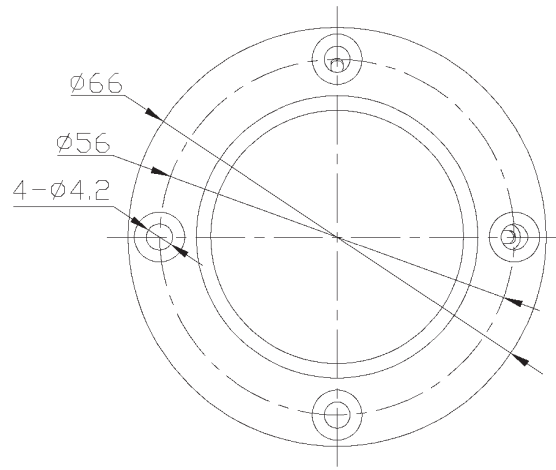


ND25FA-4

1" Soft Dome Neodymium Tweeter



Note: All dimensions in mm.

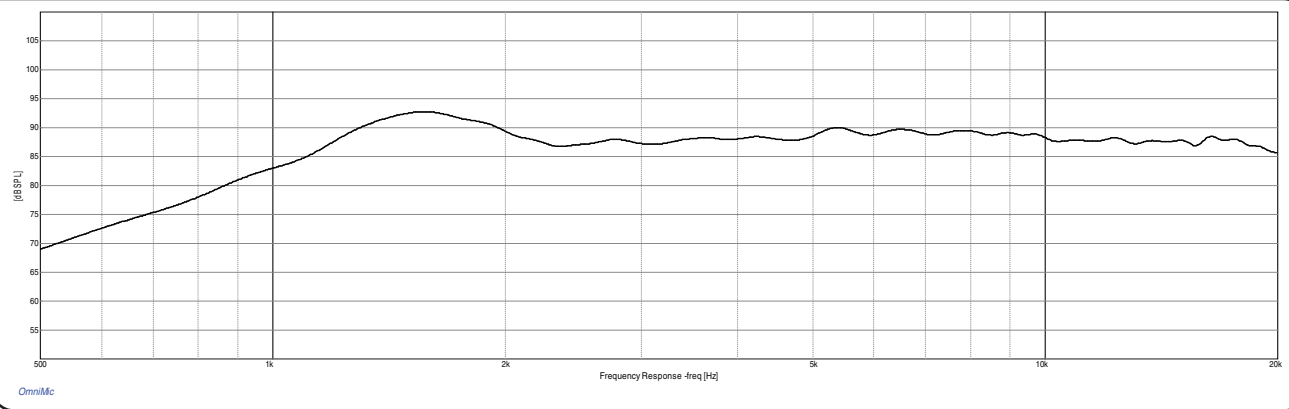
Parameters

Impedance (Ω)	4
Re (Ω)	3.2
Le (mH) @ 1 kHz	0.48
Fs (Hz)	1350
Qms	3.87
Qes	2.61
Qts	1.56
Mms (g)	
Cms (mm/N)	
Sd (cm ²)	7.5
Vd (cm ³)	
BL (Tm)	
VAs (liters)	
XMAX (mm)	
VC Diameter (mm)	25
SPL (dB@2.83V/1m)	90
RMS Power Handling (W)	20
Usable Frequency Range (Hz)	2,500-20,000

Features

- 1" treated silk dome diaphragm
- Round faceplate design for simple mounting
- High-strength neodymium motor
- Copper pole sleeve reduces distortion
- Rear-mounted heatsink and ferrofluid cooling
- Extremely smooth and detailed treble response

Frequency Response



Impedance/Phase

