

ND4015Ti2

HF Neodymium Driver with Titanium Diaphragm

KeyFeatures

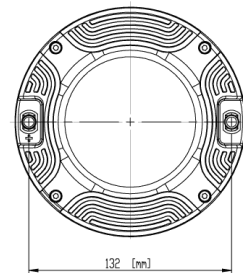
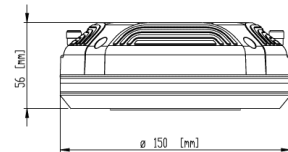
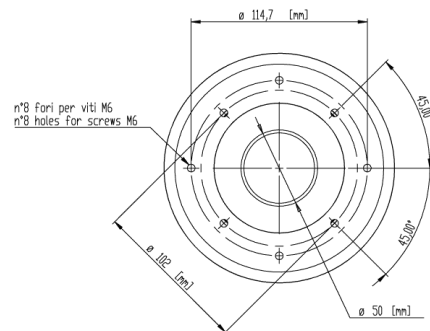
- Next Gen Titanium diaphragm for higher sensitivity and extended high frequency
- 113 dB 1W / 1m average sensitivity
- 1.5 inch throat exit
- 4 inch edgewound aluminium voice coil
- 320W max. program power handling
- HF copper sleeve for reduced distortion and increased output
- BEM optimized 4-slot metal alloy phase plug
- Available also in 1.4" and 2" exit version

Description

NSD4015Ti2 is a 1.5 inch exit neodymium compression driver designed for extremely high quality, high output sound system applications. Featuring a four inch copper-clad aluminum voice-coil and dome, the pure titanium membrane with integral surround has been optimized for high sensitivity and efficiency and an extended high frequency region. While maintaining a broad piston band and low distortion the results are maximum sound output with natural sound character and exceptional clarity up to the highest end of the frequency spectrum.

Models

Model	Code	Information
0424T8N200	0424T8N2000	8 Ohm



ND4015Ti2

HF Neodymium Driver with Titanium Diaphragm

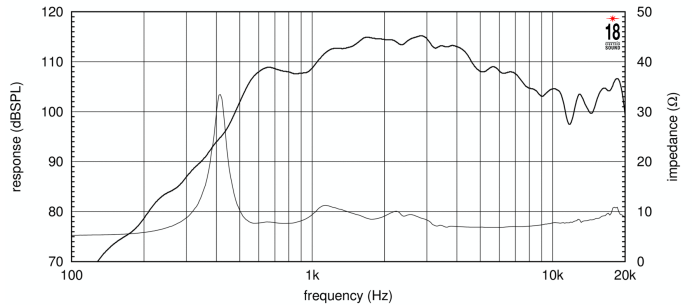
General Specifications

Throat Diameter	38 mm (1,5 in)
Rated Impedance	8 Ohm
DC Resistance	4,7 Ohm
Minimum Impedance	6,9 Ohm at 5500 Hz
Le (at 1kHz)	N/A
Continuous Power (1)	160 W
Maximum Program Power	320 W
Sensitivity (2)	113 dB
Frequency Range	800 Hz ÷ 20 kHz
Minimum X-over Frequency	800 Hz (24 dB/Oct High-Pass Filter)
Diaphragm Material	Pure Titanium
Voice Coil Diameter	100 mm (4 in)
Voice Coil Winding Material	Edge-wound CCAW
Magnet Material	Neodymium
Flux Density	2 T
BL Factor	17 Tm

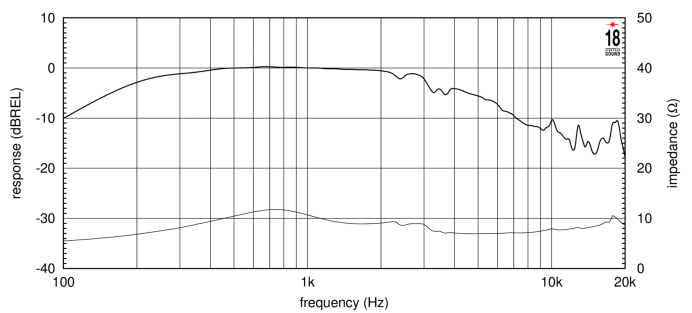
Thiele Small Parameters

Mounting information

Overall diameter	150 mm (5,9 in)
N. of mounting holes and bolt	4xM6 holes at 90° Ø 102 mm (4 in)
Bolt circle diameter	102 mm(4 in)
Total depth	57 mm (2,2 in)
Net weight	3.2 Kg (7,05 lb)
Shipping weight	3.6 Kg (7,94 lb)
CardBoard Packaging dimensions	170 x 170 x 80 mm (6,69 x 6,69 x 3,15 in)



FREQUENCY RESPONSE MEASURED WITH 2,83 V INPUT ON AXIS AT 1 METER DISTANCE FROM THROAT OF XR1564 HORN. IMPEDANCE MEASURED ON THE SAME HORN



FREQUENCY RESPONSE MEASURED WITH 77,5 mV INPUT ON 1,5 in PLANE WAVE TUBE. IMPEDANCE MEASURED ON SAME PLANE WAVE TUBE

Notes

1) Continuous Power is defined as a level that is 3 dB greater than the one measured with the new AES2-2012 standard, using continuous pink noise having 12 dB crest factor for 2 hours, mounted on XR1564 horn.
2) Sensitivity represents the averaged value of acoustic output as measured on the central forward axis of a XR1564 horn, at a distance 1 m from horn mouth, when connected to 2,83 V sine wave swept between 1000-4000 Hz.