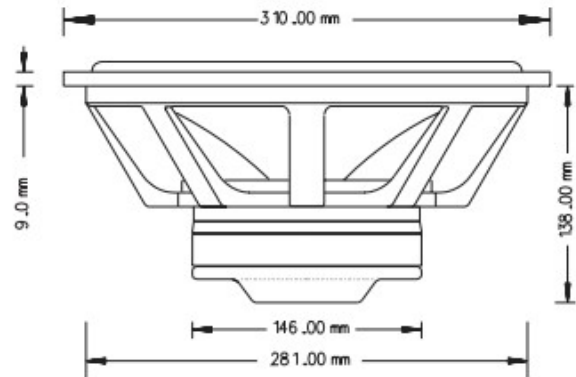


## NHT 1259 Woofer



Fs	16.5Hz
Nominal Impedance	4 ohm
Mmd	128.0 Grams
Cms	696.48 m/n
Vas	238.4 Liters
Rsc	3.52
Leap Krm	3.277 m
Leap Kxm	10.063 mH
Leap Erm	0.772
Leap Exm	0.743
vcL	1.06mH @ 1K
Bl	9.574 Tm
Qms	2.680
Qes	0.533
Qts	0.445
Voice Coil Height	34 mm
Air Gap Height	8 mm
Xmax	13.0 mm Peak
SD	0.0491 m <sup>3</sup>
Surround	Rubber
Cone Material	Polypropylene
Magnet	59 oz.
Voice Coil	50 mm
Music Power	300 Watts
Sensitivity	90 dB 2.83V/1m

Simulated Response Curve, 3.5 cubic foot sealed and stuffed enclosure.

