

12 inch Subwoofer

- **High Excursion**
- **Very Low Distortion**
- **No Stray Magnetic Fields**

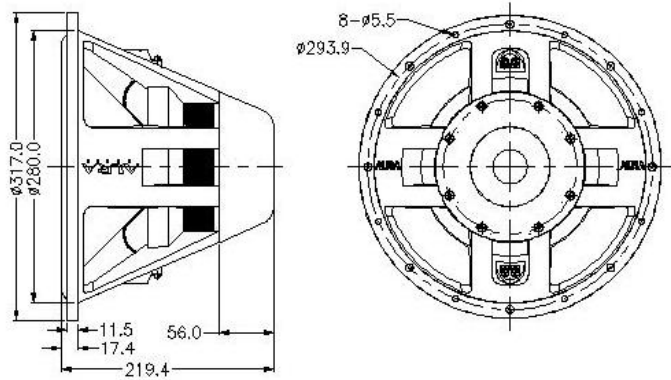
Nominal Diameter	12 inches (219 mm)
Nominal Impedance (Z)	4 ohms
Sensitivity, 1W/1m (E)	84 dB @ 200 Hz
Power Capacity, RMS (Pe)	400 W
Power Capacity, Peak	1600 W
Frequency Range (-10dB)	Fo - 1.5 kHz
Minimum Impedance	5 ohms
Voice Coil Diameter	79.4 mm
Voice Coil Winding Length (h)	15.4 mm
Voice Coil Number of Layers (n)	1
Voice Coil Former Material	Glass composite
Voice Coil Wire Composition	Aluminum Ribbon
Magnetic Material	Neodymium radial
Stray Flux Shielding	Inherent
Magnetic Gap Depth (He)	38.1 mm
Cone Material	Aluminum
Surround Material	Injecton molded rubber
Polarity, Outward Motion	Positive voltage on (+) termin
Net Weight	8.0 kg
Maximum Excursion	60 mm peak to peak

Thiele / Small Parameters

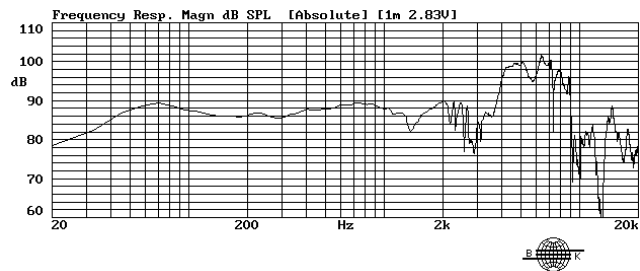
Resonant Frequency (Fo) - Fs	27 Hertz
Voice Coil DC Resistance - Re	3.5 ohms
Total Q - Qts	0.43
Mechanical Q - Qms	7.1
Electrical Q - Qes	0.45
Equivalent Volume of Air - Vas	78 L
Radiating Piston Area - Sd	487 cm ²
Xmax	36 mm peak to peak

Electrical / Mechanical Parameters

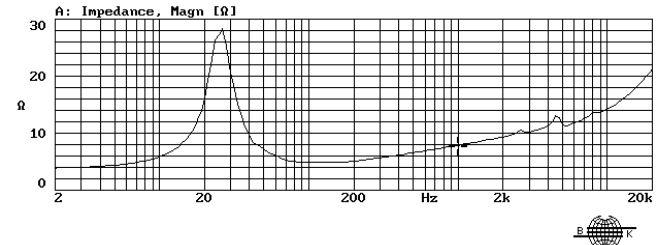
Flux Density x Length - BL	14 Tesla-meters
Compliance - Cms	233 μm/N
Total Mass - Mms	152 grams



Frequency Response (1W, 1m)



Impedance



Distortion (1W, 1m)

