

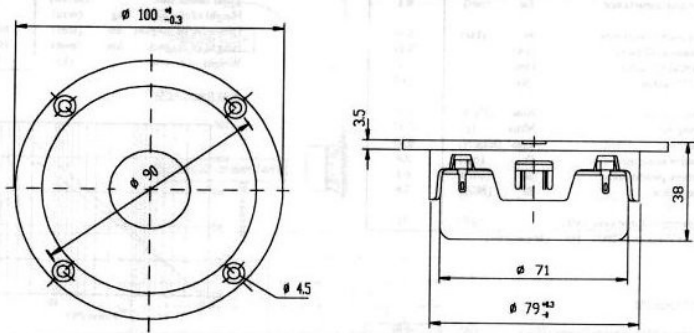
Peerless



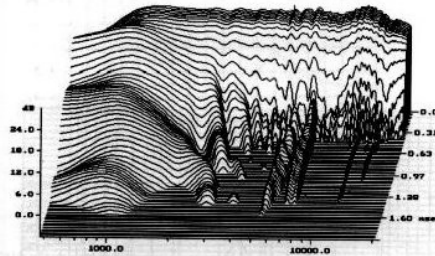
1" Dome Tweeter

811978

100 DT 26 60 SF WA TV 8Ω



Cumulative Spectral Decay



Shielded 1" dome tweeter with soft fabric dome and "wide angle" face plate. This speaker is made especially for use in systems which have to be placed nearby stray field sensitive equipment such as a television set or a computer monitor. A common application is for a center speaker in a surround system.

Type: 100 DT 26 60 SF WA TV 8Ω 811978

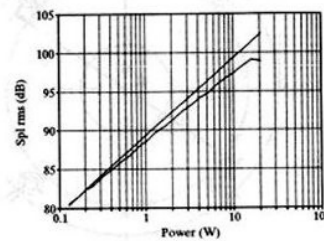
Thiele Small parameters:

Nominal impedance	Zn (Ω)	8
Minimum impedance/at freq.	Zmin (Ω/Hz)	5.4 / 2900
Maximum impedance	Zo (Ω)	26.6
Dc resistance	Re (Ω)	5.3
Voice coil inductance	Le (mH)	0.1
Resonance Frequency	fs (Hz)	890
Mechanical Q factor	Qms	5.43
Electrical Q factor	Qes	1.34
Total Q factor	Qts	1.07
Mechanical resistance	Rms (Kg/s)	0.38
Moving mass	Mms (g)	0.37
Suspension compliance	Cms (mm/N)	0.09
Effective cone diameter	D (cm)	2.8
Effective piston area	Sd (cm ²)	6.2
Force factor	Bl (N/A)	2.8
Reference voltage sensitivity	(dB)	91
Re 2.83V 1m at 2900 Hz (Measured)		

Magnet and voice coil parameters:

Voice coil diameter	d (mm)	26
Voice coil length	h (mm)	1.8
Voice coil layers	n	2
Flux density in gap	B (T)	1.3
Total useful flux	(mWb)	0.3
Height of the gap	hg (mm)	2.5
Diameter of magnet	dm (mm)	60+60
Height of magnet	hm (mm)	10+12
Weight of magnet	(kg)	.1+.1

Max linear SPL:



Power handling

Longterm Max System Power (IEC) (W)

