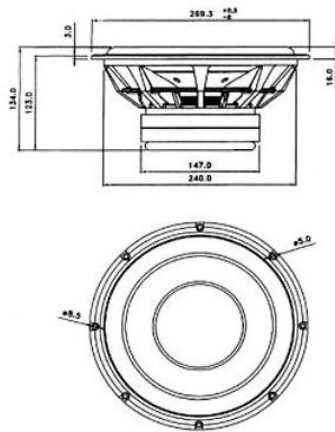


Peerless

10" XLS subwoofer



ORDER ID
830452



269 SWR 51 147 NX ALP 4L XLS 8/5Ω

By introducing the new range of Xtra Long Stroke (XLS) subwoofers, Peerless has pushed the performance limits for subwoofers. The XLS/subwoofer range will fulfil every demand for deep clean bass reproduction like active THX home theatre and Dolby Digital subwoofer applications.

In the design the emphasis has been put in achieving extreme deep bass, long time reliability, high power handling, and very low distortion - also under very large sound pressures.

The 10" XLS is available in several different configurations from small passive radiator assisted subwoofers to classical and car applications.

Type: 269 SWR 51 147 NX ALP 4L XLS 8/5Ω 830452

These Small parameters

Nominal impedance	Zn (Ω)	8	
Minimum impedance/at freq.	Zmin (Ω/Hz)	4.9 / 115	
Maximum impedance	Zo (Ω)	53.3	
Dc resistance	Re (Ω)	3.4	
Voice coil inductance	Le (mH)	4.3	
Capacitor in series with 8 Ω (for impedance compensation)	Cc (μF)	22	
Resonance Frequency	fs (Hz)	18.9	18.6
Mechanical Q factor	Qms	2.63	2.66
Electrical Q factor	Qes	0.18	0.18
Total Q factor	Qts	0.17	0.17
F (Ratio fs/Qts)	F (Hz)		109
Mechanical resistance	Rms (Kg/s)		6.12
Moving mass	Mms (g)	135.3	139.3
Suspension compliance	Cms (mm/N)		0.52
Effective cone diameter	D (cm)		20.6
Effective piston area	Sd (cm ²)		333
Equivalent volume	Vas (lts)		80.2
Force factor	Bl (N/A)		17.5

Magnet and voice coil parameters

Voice coil diameter	d (mm)	51
Voice coil length	h (mm)	33
Voice coil layers	n	4
Flux density in gap	B (T)	1.04
Total useful flux	(mWb)	2.50
Height of the gap	hg (mm)	8
Diameter of magnet	dm (mm)	147
Height of magnet	hm (mm)	35
Weight of magnet	(kg)	2.42

Reference voltage sensitivity
Re 2.83V 1m at 115 Hz (Measured)

