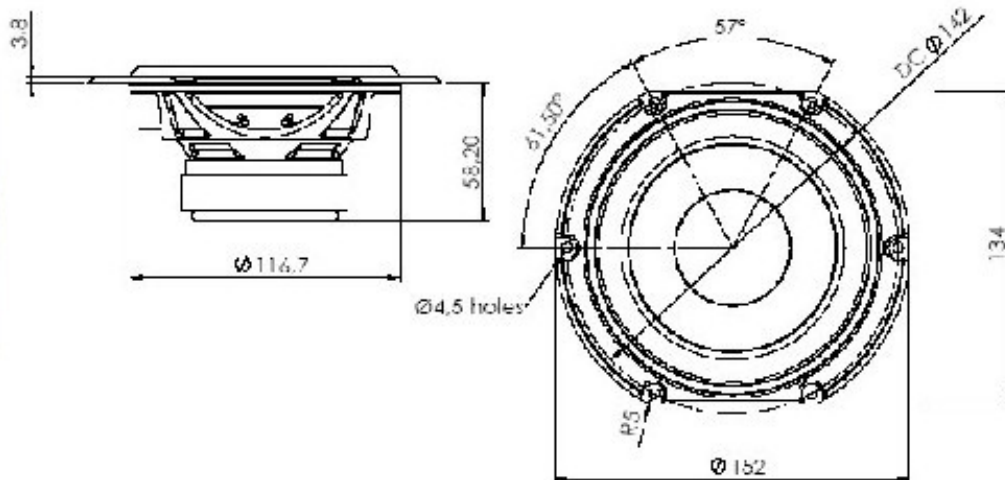




S134WR2608 (830656)



Electrical data

Nominal impedance	Zn	8 (ohm)
Minimum imp. /at freq.	Zmin	6.7/251 (ohm/Hz)
Maximum impedance	Zo	40.5 (ohm)
Dc resistance	Re	6 (ohm)
Voice coil inductance	Le	1.5 (mH)

TS Parameters

Resonance Frequency	fs	62.4 (Hz)
Mechanical Q factor	Qms	3.63
Electrical Q factor	Qes	0.63
Total Q factor	Qts	0.54

Force factor	Bl	5.5 (Tm)
Mechanical resistance	Rms	0.87 (Kg/s)
Moving mass	Mms	8.1 (g)
Suspens. compliance	Cms	0.81 (mm/N)
Effective cone diam.	D	10.8 (cm)
Effective piston area	Sd	91 (cm ²)
Equivalent volume	Vas	9.2 (ltrs)
SPL 2.83V/1m at fmin		87.0 (dB)

Voice coil and magnet parameters

Voice coil diameter	26.0 (mm)
Voice coil length	13.0 (mm)
Voice coil layers	2
Height of the gap	6.0 (mm)
Linear excursion +/-	3.5 (mm)
Max mech. excursion +/-	- (mm)
Total useful flux	0.6 (mWb)
Diameter of magnet	72 (mm)
Height of magnet	15 (mm)
Weight of magnet	0.23 (kg)

Factors

Ratio fs/Qts	116
Ratio BL/sqrt(Re)	2.2

Power handling

100h RMS noise test (IEC)	- (W)
Longterm Max System Power (IEC)	- (W)
IEC268-5 noise signal is used for the powertest.	

