

D
1" Tweeter



Type Number: D27TG-35-06

Features:

Driver Highlights: 1" dome tweeter, fabric diaphragm, ferrofluid, double chamber



Specs: DISCONTINUED - ARCHIVED

Electrical Data

Nominal impedance	Zn	6	ohm
Minimum impedance	Zmin	--	ohm
Maximum impedance	Zo	--	ohm
DC resistance	Re	4.6	ohm
Voice coil inductance	Le	--	mH

T-S Parameters

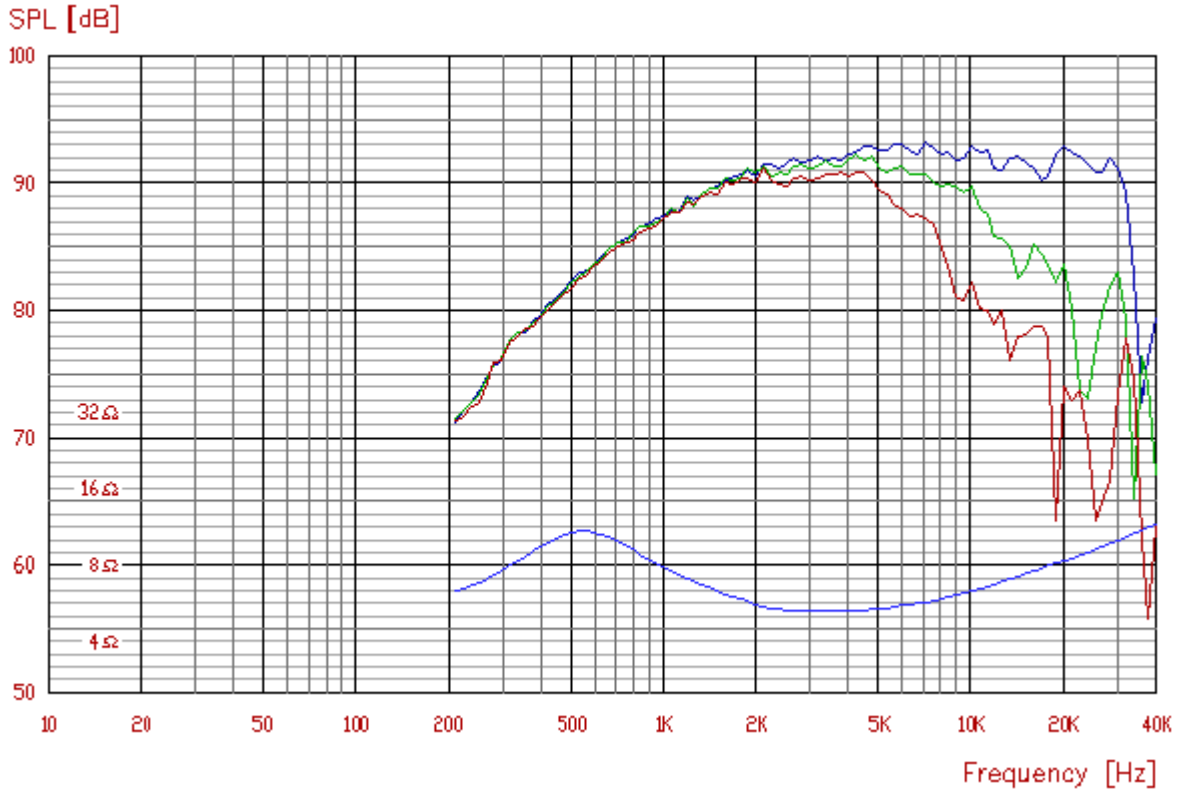
Resonance Frequency	fs	650	Hz
Mechanical Q factor	Qms	0.95	
Electrical Q factor	Qes	0.77	
Total Q factor	Qts	0.43	
Force factor	Bl	2.7	Tm
Mechanical resistance	Rms	--	Kg/s
Moving mass	Mms	0.3	g
Suspension compliance	Cms	--	mm/N
Effective cone diameter	D	--	cm
Effective piston area	Sd	7.1	cm ²
Equivalent volume	Vas	0.014	ltrs
Sensitivity		91	dB

Power handling

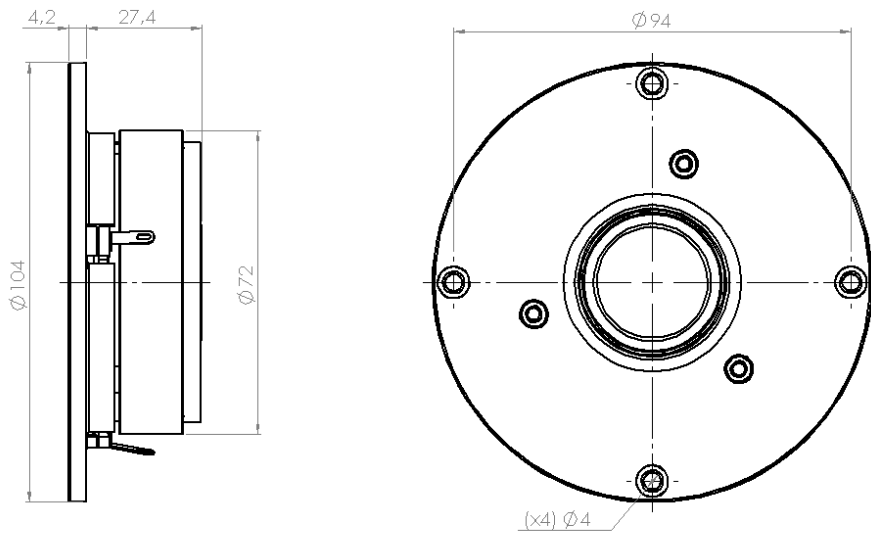
Long-term Max System Power (IEC)	225	W
Short Term Max power	450	W

Voice Coil and Magnet Parameters

Voice coil diameter	26	mm
Voice coil height	1.6	mm
Voice coil layers	--	
Height of the gap	2	mm
Flux density of gap	--	mWb
Total useful flux	--	mWb
Diameter of magnet	--	mm
Height of magnet	--	mm
Weight of magnet	0.24	Kg



Mechanical Dimensions:



D27TG-35-06