

Model Number: DX25TG59-04  
 Product Line: Peerless Gold

Revision: Rev 2  
 Date: 13-Mar-14

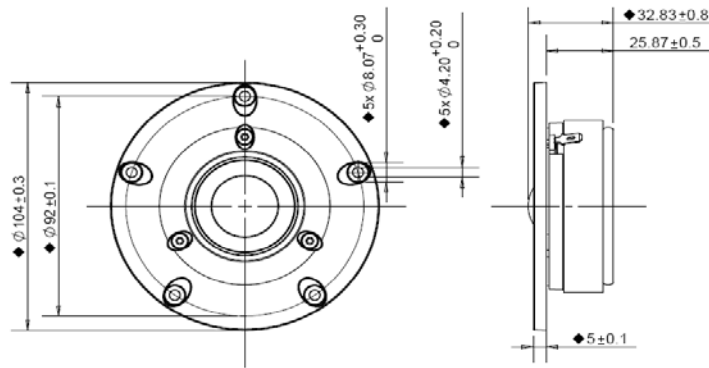


**Product Description:**

This DX family tweeter features a 4 Ω 25 mm ferrofluid-cooled voice coil, a damped silk diaphragm with large surround roll to produce a low resonant frequency, and a ferrite magnet motor which adds heat sinking for power handling capacity. The faceplate features recessed mounting holes to minimize reflections.



**Mechanical 2D Drawing:**

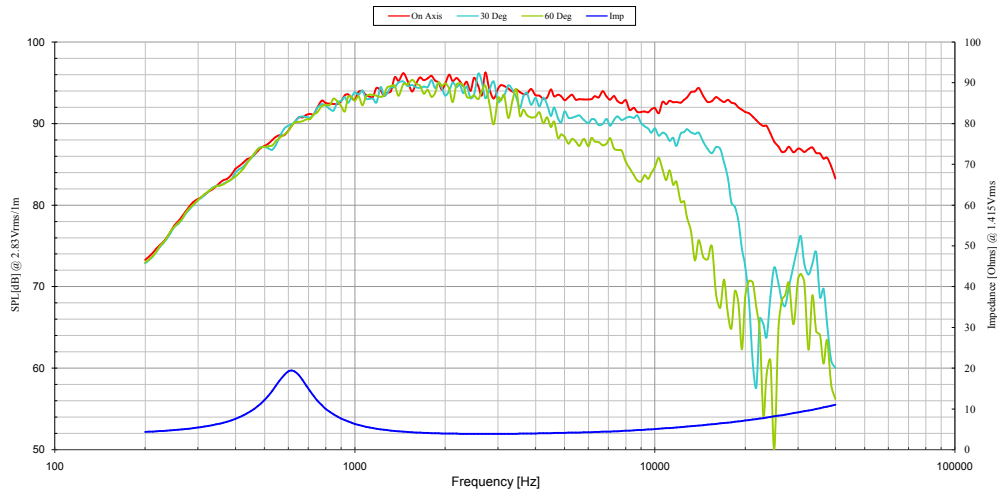


**Specifications:**

DC Resistance	$R_{dc}$	$\Omega$	3.1	$\pm 7.5\%$	Energy Bandwidth Product	EBP	$(1/Q_{es}) \cdot f_s$	1047	
Minimum Impedance	$Z_{min}$	$\Omega$	3.9	$\pm 7.5\%$	Moving Mass	$M_{ms}$	g	0.36	
Voice Coil Inductance	$L_e$	mH	0.02		Suspension Compliance	$C_{ms}$	um/N	180.1	
Resonant Frequency	$f_s$	Hz	622	$\pm 20\%$	Effective Cone Diameter	D	cm	3.2	
Mechanical Q Factor	$Q_{ms}$	-	2.1		Effective Piston Area	$S_D$	cm <sup>2</sup>	8.2	
Electrical Q Factor	$Q_{es}$	-	0.59		Equivalent Volume	$V_{as}$	L	0.019	
Total Q Factor	$Q_{ts}$	-	0.46		Motor Force Factor	BL	T·m	2.72	
Ratio $f_s / Q_{ts}$	F	$f_s / Q_{ts}$	1351		Motor Efficiency Factor	$\beta$	$(T \cdot m^2) / \Omega$	2.40	
Half Space Sensitivity @ 2.83V	dB@2.83V/1m		dB	94.2	$\pm 1.0^1$	Voice Coil Former Material	VC <sub>m</sub>	-	ASV
Sensitivity @ 1W/1m	1W/1m		dB	90.1	$\pm 1.0^1$	Voice Coil Inner Diameter	VC <sub>g</sub>	mm	25.76
Rated Noise Power (IEC 2685 18.1)	P	W	100		Gap Height	Gh	mm	2.00	
Test Spectrum Bandwidth	2.5KHz-20KHz		12 dB/Oct		Maximum Linear Excursion	$X_{max}$	mm	0.10	
					Ferrofluid Type	FF	-	APGS11N	
					Transducer Size	-	-	25 mm	
					Transducer Mass	-	Kg	0.50	

1 - Piston Band Sensitivity Tolerance

**Frequency and Impedance Response:**



F088-0713A