

Model Number: OT19NC00-04
Product Line: Peerless Gold

Revision: Rev 1_0
Date: 7-May-10

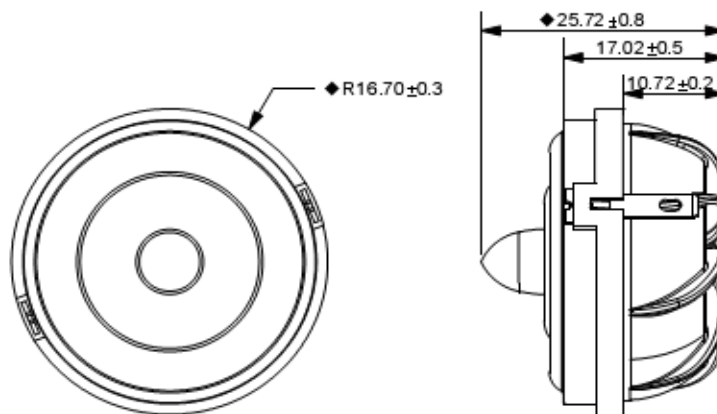


Product Description:

This member of the OT tweeter family utilizes two Tymphany technologies to deliver exceptional sound quality: the ring radiator patent, and the central waveguide patent. This model features a 4 ohm 19 mm voice coil, mounted in a neodymium magnet motor. The tweeter also features a rear chamber to create extended low frequency response. This compact tweeter without faceplate is ready for installation into compact systems.



Mechanical 2D Drawing:



Specifications:

DC Resistance	R_{evc}	Ω	3.2	5.0%	Energy Bandwidth Product	EBP	$(1/Q_{es})f_s$	662
Minimum Impedance	Z_{min}	Ω	3.6	7.5%	Moving Mass	M_{ms}	g	0.21
Voice Coil Inductance	L_e	mH	0.01		Suspension Compliance	C_{ms}	um/N	116.3
Resonant Frequency	f_s	Hz	1030	15.0%	Effective Cone Diameter	D	cm	2.4
Mechanical Q Factor	Q_{ms}	-	7.0		Effective Piston Area	S_D	cm ²	4.5
Electrical Q Factor	Q_{es}	-	1.56		Equivalent Volume	V_{as}	L	0.00
Total Q Factor	Q_{ts}	-	1.27		Motor Force Factor	BL	T·m	1.64
Ratio f_s / Q_{ts}	F	f_s / Q_{ts}	808		Motor Efficiency Factor	β	$(T \cdot m^2) / \Omega$	0.85
Half Space Sensitivity @ 2.83V	dB@2.83V/1m	dB	88.0	+/-1.0 ¹	Voice Coil Former Material	VC _{fm}	-	ASV
Sensitivity @ 1W/1m	1W/1m	dB	85.0	+/-1.0 ¹	Voice Coil Inner Diameter	VC _{id}	mm	19.3
Rated Noise Power (IEC 2685 18.1)	P	W	80		Gap Height	Gh	mm	2.0
Test Spectrum Bandwidth	2.5kHz - 20kHz	12 dB/Oct			Maximum Linear Excursion	X_{max}	mm	0.1
					Ferrofluid Type	FF	-	N/A
					Transducer Size	-	inch	0.75
					Transducer Mass	-	Kg	0.042

1 - Piston Band Sensitivity Tolerance

Frequency and Impedance Response:

