

# REALISTIC®

## 5 1/4" (13cm) HI-FI AUTO SPEAKER

Part. No.40-1354

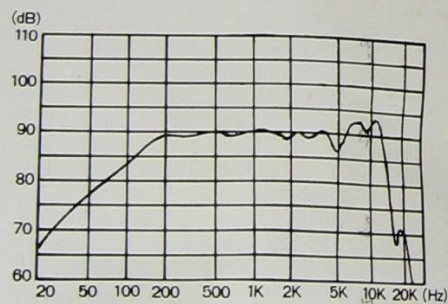
### FEATURES

- Exceptional power-handling capacity.
- Superior transient response.
- Special rolled foam surround minimizes distortion and improves linearity.
- Special whizzer cone extends high frequency to 14,000 Hz.
- Massive 10 ounce magnet for powerful Bass response.

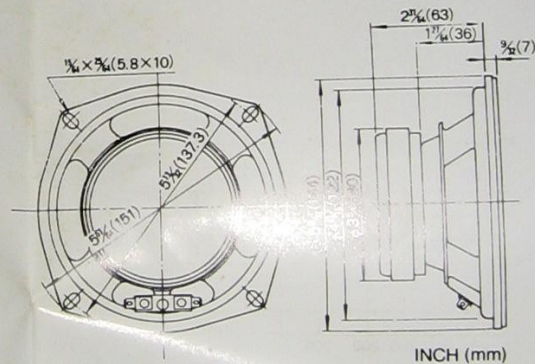
### SPECIFICATIONS

Impedance	: 8 ohms
Frequency response	: 50-14,000Hz
Free air resonance	: 50 Hz
Efficiency (SPL at 1 watt, 1 meter)	: 90 dB
Nominal power	: 20 W
Maximum power	: 40 W
Magnet weight	: 283 g (10 oz)
Speaker weight	: 865 g (30.6oz)

Frequency response curve



DIMENSIONS



RADIO SHACK  
A Division of Tandy Corporation  
Fort Worth, Texas 76102