



ST 1048

Supreme Tweeter, Ø 104mm, 8Ω



Features:

- * Underhung voice coil
- * Large Hexatech™ aluminum voice coil
- * 104mm IDR™ Improved Dispersion Recess design aluminum face plate
- * Replaceable Acuflex™ dome / coil assembly
- * Neodymium flat pancake design magnet
- * High power handling

SPECIFICATIONS

General Data

| | | |
|------------------------------|-----|--------------------------------|
| Overall Dimensions | DxH | 104mm(4.09")x40mm(1.57") |
| Nominal Power Handling (DIN) | P | 220W/12dB |
| Transient Power 10ms | | 1000W |
| Sensitivity 1W/1M | | 91.5dB SPL |
| Frequency Response | | 1400-22K |
| Cone/Dome Material | | Acuflex™ hand coated soft dome |
| Net Weight | Kg | 0.435 |

Electrical Data

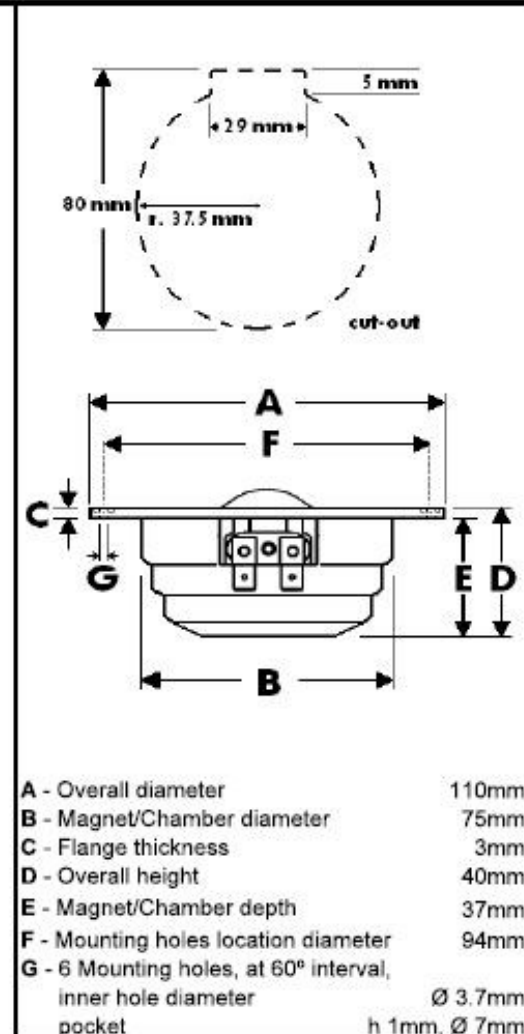
| | | |
|------------------------------|-----|--------|
| Nominal Impedance | Z | 8Ω |
| DC Resistance | Re | 5.2Ω |
| Voice Coil Inductance @ 1KHz | LBM | 0.09mH |

Voice Coil and Magnet Parameters

| | | |
|------------------------|-----|------------------------|
| Voice Coil Diameter | DIA | 28mm |
| Voice Coil Height | | 2.7mm |
| HE Magnetic Gap Height | HE | 4.2mm |
| Max. Linear Excursion | X | |
| Voice Coil Former | | Aluminum |
| Voice Coil Wire | | Hexatech™ Aluminum |
| Number Of Layers | | 2 |
| Magnet System Type | | Neodymium Flat Pancake |
| B Flux Density | B | |
| BL Product | BXL | |

T-S Parameters

| | | |
|---------------------------|-----|---------------------|
| Suspension Compliance | Cms | |
| Mechanical Q Factor | Qms | |
| Electric Q Factor | Qes | |
| Total Q Factor | Qts | |
| Mechanical Resistance | Rms | |
| Moving Mass | Mms | |
| Eq. Cas Air Load (liters) | VAS | |
| Resonant Frequency | Fs | 680 Hz ±10% |
| Effective Piston Area | SD | 6.0 cm ² |



- A - Overall diameter 110mm
- B - Magnet/Chamber diameter 75mm
- C - Flange thickness 3mm
- D - Overall height 40mm
- E - Magnet/Chamber depth 37mm
- F - Mounting holes location diameter 94mm
- G - 6 Mounting holes, at 60° interval, inner hole diameter Ø 3.7mm, pocket h 1mm, Ø 7mm

