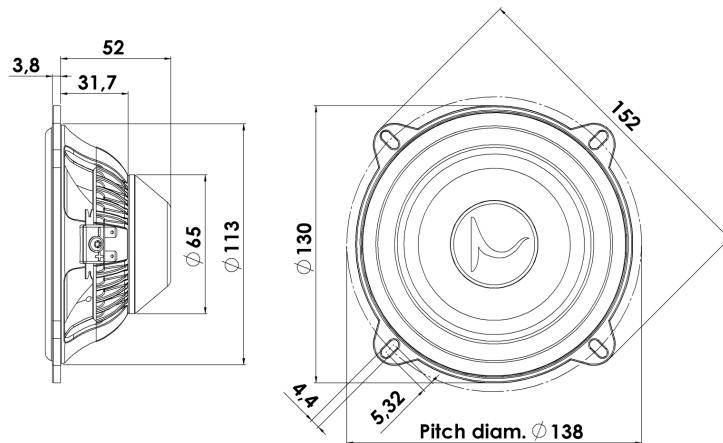




AUTOMOTIVE

820012

The Discovery Car Speakers offers superior sound, tailor-made for car use with very good performance, shallow design and a robust construction which will offer you excellent sound in you car for many years! Please see detailed datasheets for tweeter R1904/613001 and woofer 13W/4434G00. In below specs.: If two parameters are given it is for "tweeter"/"woofer".



KEY FEATURES:

- 2 x 130mm Midwoofers - EURO-DIN mounting
- 2 x 2-Way Crossovers
- Shallow Mounting Dimentions
- 2 x 19mm Ring Dome Tweeters
- Alu Die cast Chassis
- Patented NRSC Fibre Glass Cone

T-S Parameters

Resonance frequency [fs]	1000/80 Hz
Mechanical Q factor [Qms]	-/4.41
Electrical Q factor [Qes]	-/0.65
Total Q factor [Qts]	-/0.57
Force factor [Bl]	-/4.8 Tm
Mechanical resistance [Rms]	- kg/s
Moving mass [Mms]	-/10 g
Suspension compliance [Cms]	- mm/N
Effective diaph. diameter [D]	- mm
Effective piston area [Sd]	3.8/80 cm ²
Equivalent volume [Vas]	- l
Sensitivity (2.83V/1m)	88 dB
Ratio Bl/√Re	- N/√W
Ratio fs/Qts	- Hz

Notes:

IEC specs. refer to IEC 60268-5 third edition.
All Scan-Speak products are RoHS compliant.
Data are subject to change without notice.
Datasheet updated: February 22, 2011.

Electrical Data

Nominal impedance [Zn]	4 Ω
Minimum impedance [Zmin]	- Ω
Maximum impedance [Zo]	- Ω
DC resistance [Re]	2.7/3 Ω
Voice coil inductance [Le]	- mH

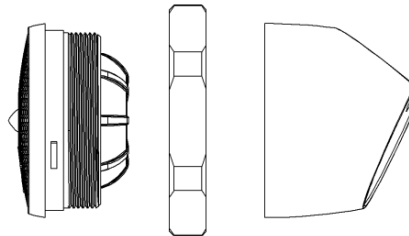
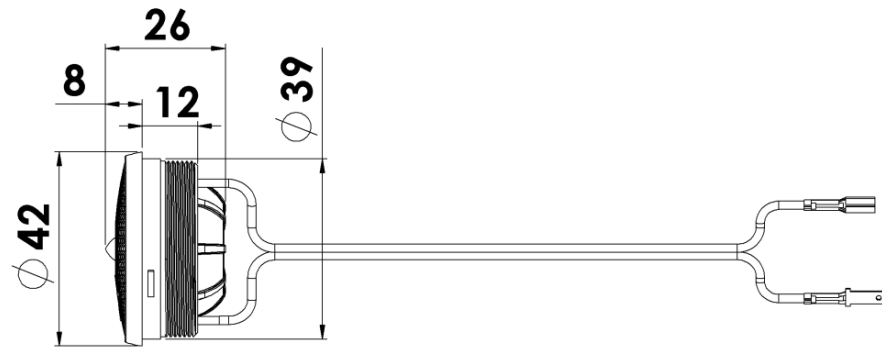
Power Handling

100h RMS noise test (IEC 17.1)*	100 W
Long-term max power (IEC 17.3)*	- W

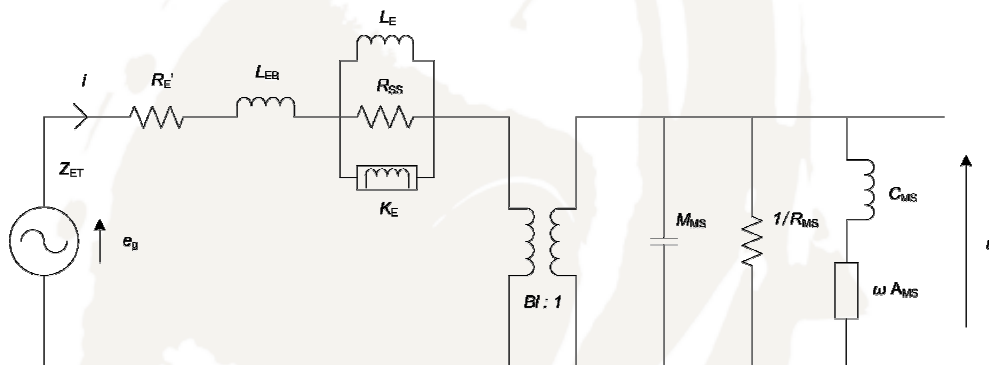
*Filter: 2nd order - 2500 Hz

Voice Coil and Magnet Data

Voice coil diameter	19/32 mm
Voice coil height	- mm
Voice coil layers	-
Height of gap	- mm
Linear excursion	± - mm
Max mech. excursion	± -/8 mm
Unit weight	0.05/0.5 kg



Advanced Parameters (Preliminary)



Electrical data:

Resistance [Re']	- Ω
Free inductance [Leb]	- mH
Bound inductance [Le]	- mH
Semi-inductance [Ke]	- SH
Shunt resistance [Rss]	- Ω

Mechanical Data

Force Factor [Bl]	- Tm
Moving mass [Mms]	- g
Compliance [Cms]	- mm/N
Mechanical resistance [Rms]	- kg/s
Admittance [Ams]	- mm/N