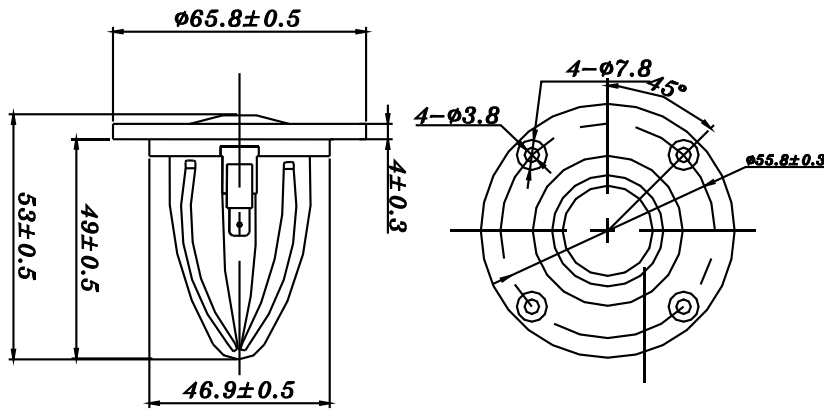


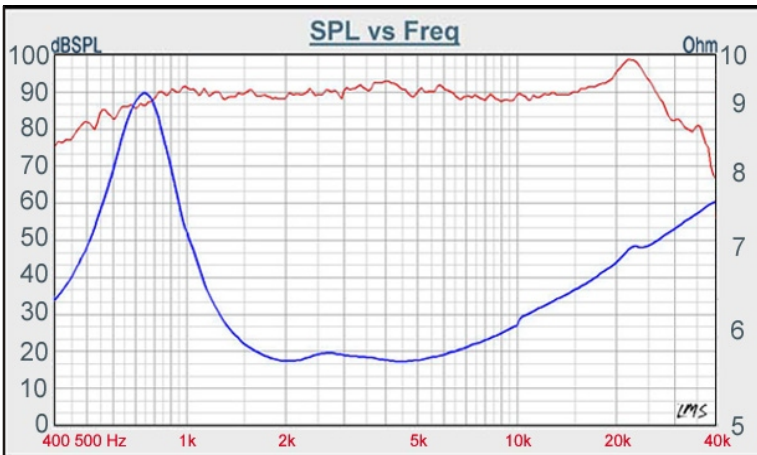
TW SERIES

25-1744S



- CERAMIC DIAPHRAGM WITH FABRIC SURROUND
- SHORT RING AND BACK CHAMBER DESIGN, F_0 OF 700Hz
- LOW 2nd AND 3rd DISTORTION (LOW THD)
- EXCELLENT OFF-AXIS DISPERSION
- NEODYMIUM MAGNET
- FREQUENCY RESPONSE OF 700Hz ~ 30KHz
- FERROFLUID COOLED
- MAGNETIC SHILDED

25mm CERAMIC DOME TWEETER



DIAPHRAGM MTL	Ceramic
SURROUND MTL	Fabric
NOMINAL IMPEDANCE	6 Ω
DCR IMPEDANCE	5 Ω
SENSITIVITY 1W/1M	90 dB
FREQUENCY RESPONSE	700Hz - 30K Hz
FREE AIR RESONANCE	700 Hz
VOICE COIL DIAMETER	25.4 mm
AIR GAP HEIGHT	2 mm
RATED POWER INPUT	8 W
MAXIMUM POWER INPUT	80 W
FORCE FACTOR, BL	N/A
MAGNET WEIGHT (oz)	Neodymium
MOVING MASS	N/A
FERROFLUID ENHANCED	Yes
SUSPENSION COMPLIANCE	N/A
EFFECTIVE PISTON AREA	N/A
Levc	0.003mH
Zo	9ohm
Xmax	N/A
Vas	N/A
Qts	N/A
Qms	N/A
Qes	N/A



VOICE: 886.2.26570282 FAX: 886.2.26580166
E-MAIL: info@tb-speaker.com