

Model No: DA25BG08-04
 Product Line: Vifa

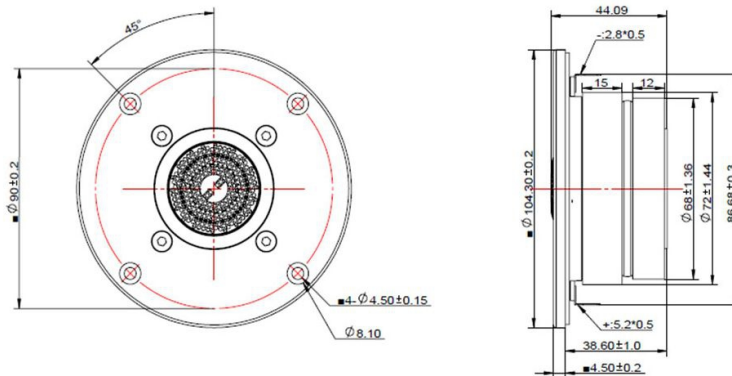
Rev: 1.0
 Last Update: 2015-10-15 02:44:00

Product Description

This D family tweeter features an 4 ohm 1 inch voice coil, a treated Al dome, large rear chamber for low resonant frequency, and a ferrofluid-cooled ferrite motor. The large motor and rear chamber allow for robust power handling capacity. The tweeter comes with a faceplate with recessed mounting holes, for easy installation into the desired application.



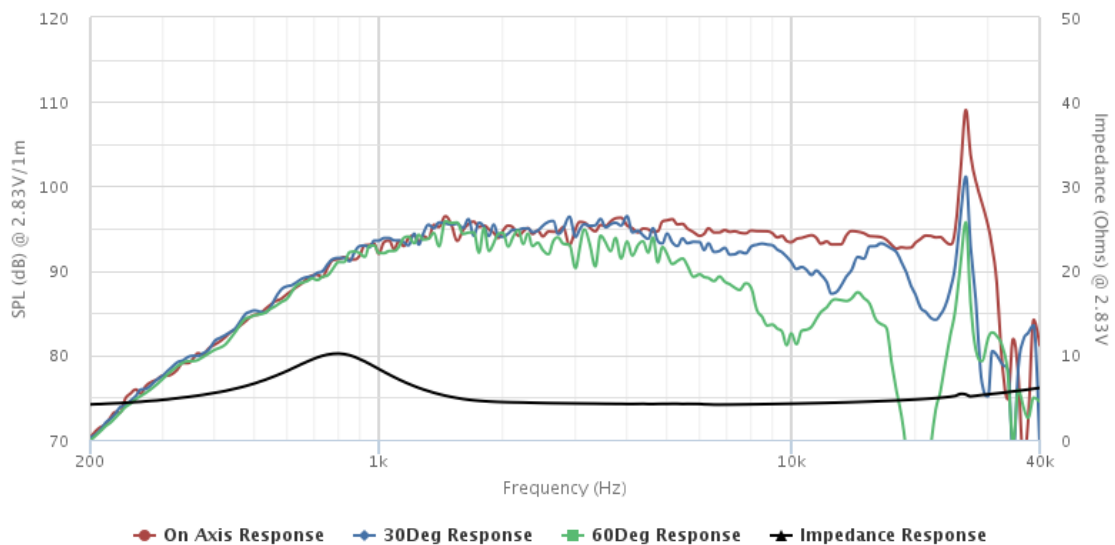
Mechanical Drawing



Specifications

| | | | | | | | |
|-------------------------------|-------------|--------|---------|-----------|----------------------------|--------|-------------|
| DC Resistance | Revc | Ohms | 3.1 | 5.0% | Energy Bandwidth Product | EBP | (1/Qes)*fs |
| Minimum Impedance | Zmin | Ohms | 4.16 | 7.5% | Moving Mass | Mms | g |
| Voice Coil Inductance | Le | mH | 0.01 | | Suspension Compliance | Cms | um/N |
| Resonant Frequency | Fs | Hz | 770.18 | 15% | Effective Cone diameter | D | cm |
| Mechanical Q Factor | Qms | | 1.88 | | Effective Piston Area | Sd | cm² |
| Electrical Q Factor | Qes | | 0.82 | | Effective Volume | Vas | L |
| Total Q Factor | Qts | | 0.57 | | Motor Force Factor | BL | Tm |
| Ratio Fs/Qts | F | Fs/Qts | 1348.83 | | Motor Efficiency Factor | β | (T*M²)/Ohms |
| Half Space Sensitivity @2.83V | db@2.83V/1M | dB | 94.71 | +/- 1.0db | Voice coil former Material | VCfm | ASV |
| Half Space Sensitivity @1W/1M | db@1W/1M | dB | 91.9 | +/- 1.0db | Voice coil inner diameter | Vcd | mm |
| Gap Height | Gh | mm | 3 | | Rated Noise Power | P | W |
| Maximum Linear Excursion | Xmax | mm | 0.7 | | Test Spectrum Bandwidth | 2K-20K | |
| Ferrofluid Type | FF | | APG027n | | Transducer Size | Inch | 1 in |
| Transducer Mass | Kg | | 0.68 | | | | |

Frequency and Impedance Response



Highcharts.com