



Vifa-Speak A/S  
DK-6920 Videbæk  
Denmark

Fabrikation af kvalitetshøjttalere  
Production of Quality Loudspeakers

## 8" WOOFER

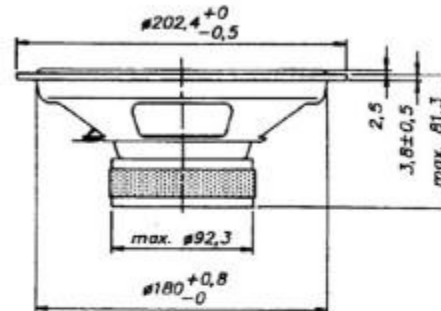
### SPECIAL FEATURES:

- SMOOTH FREQUENCY RESPONSE
- SUITED FOR 2- AND 3-WAY SYSTEMS
- BLACK COATED PAPER CONE
- OPTIMIZED LARGE SIGNAL

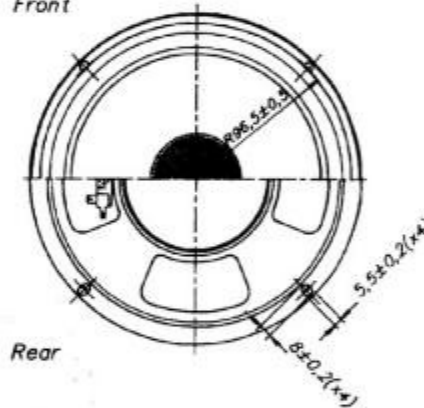
### CHARACTERISTICS

NOMINAL IMPEDANCE	8 Ω
NOMINAL POWER (IEC 268-5)	70 W
MUSIC POWER (DIN 45.500)	110 W
FREQUENCY RANGE	36-5000 Hz
SENSITIVITY (1W, 1m)	91 dB
EFFECTIVE CONE AREA	231 cm <sup>2</sup>
VOICE COIL RESISTANCE	5,8 Ω
VOICE COIL INDUCTANCE	0,9 mH
OPERATING POWER	3,2 W
VOICE COIL DIAMETER	32 mm
VOICE COIL HEIGHT	14 mm
AIR GAP HEIGHT	6 mm
FREE AIR RESONANCE	36 Hz
MOVING MASS (incl. air)	17 g
FORCE FACTOR, B x l	6,4 Txm
MAGNET WEIGHT	(14,6 oz) 415 g
Qms	2,7
Qes	0,54
Qts	0,45
Vas	87 ltr

## C20WJ-19-08



Front



Rear

